

SUBMITTAL SHEET

JOB NAME	ITEM TAG
JOB LOCATION	PART NUMBER
CONTRACTOR	DATE
ENGINEER APPROVAL	DATE

INSERTED BONNET GATE VALVE

Model T-751

600 W.O.G. Non-shock

Working Pressure, Non Shock (PSI)

Cold working pressure (CWP):

Saturated steam (WSP): 125

Pictured Model T-751

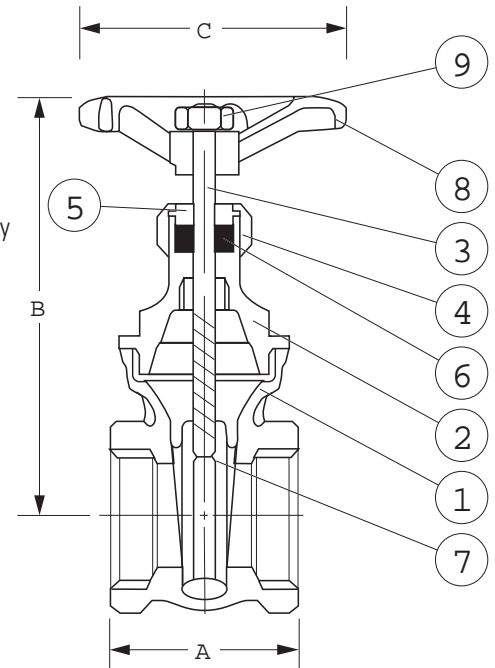


MATERIAL SPECIFICATION

PART	MATERIAL	SPECIFICATION
1	Body	S.S. 316
2	Bonnet	S.S. 316
3	Stem	S.S. 304
4	Packing nut	S.S. 304
5	Packing gland	S.S. 304
6	Stem packing	PTFE DUPONT TEFLON
7	Disc	316 S.S. 316
8	Handwheel	Cast iron JIS ZZ2202
9	Handwheel nut	Steel 304

*Teflon is a registered trademark of Dupont

Pictured Model T-751 Cut-away



DIMENSIONS

Size	A	B	C
1/2"	2.21	3.97	2.43
3/4"	2.42	4.12	2.43
1"	2.75	4.35	2.95
1-1/4"	3.05	5.25	2.95
1-1/2"	3.21	6.00	3.37
2"	3.75	6.5	3.37