

SUBMITTAL SHEET

JOB NAME	ITEM TAG
JOB LOCATION	PART NUMBER
CONTRACTOR	DATE
ENGINEER APPROVAL	DATE



NO LEAD COMPACT WATER PRESSURE REDUCING VALVE

T-6802NL

Protects water distribution systems by reducing incoming water pressure.
 Factory pre-set at 50 psi outlet pressure. See IOM for adjustment procedure.
 Adjustable outlet pressure range: 25 to 75 psi.
 Can be installed vertically or horizontally.
 Equipped with an internal thermal expansion bypass.
 Integral strainer screen protects internal components from pipeline debris.
 True union connections permit easy installation and maintenance.
 Available with an optional external relief valve: 1/4" MNPT or 3/8" Compression.
 Available in body-only or FNPT, Sweat, F1807 PEX barb, or CPVC solvent-weld tailpiece (union) connection adapters.
 PEX, CPVC, Sweat, and FNPT adapters are available separately.

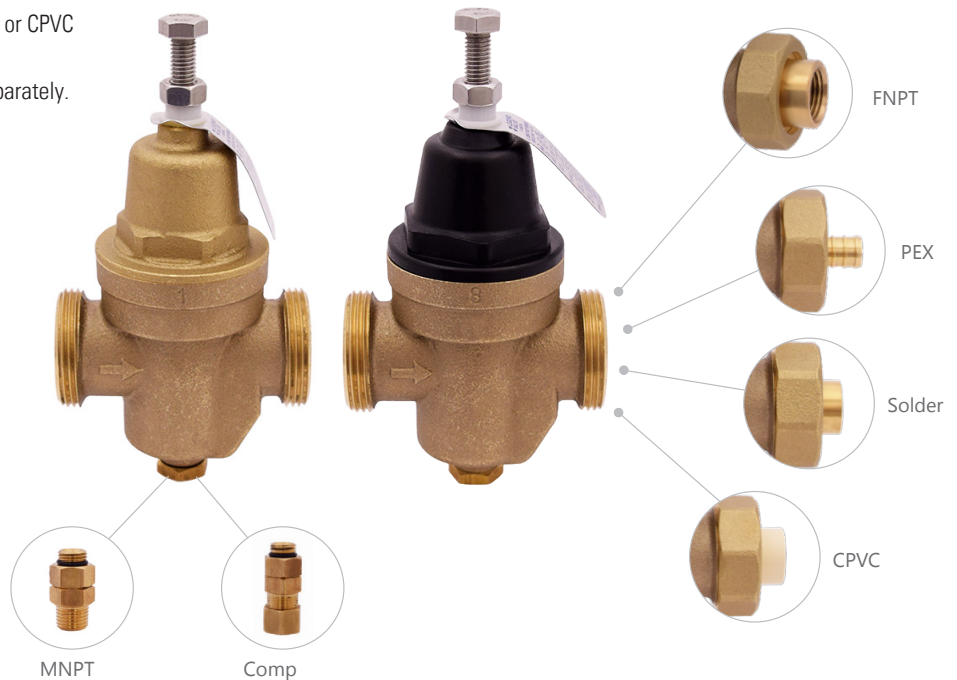
Working Pressure, Non Shock (PSI)

Cold Water Pressure: 300 psi (max.)
 Saturated Steam: Not suitable for steam

Maximum service temperature: 180°F
 Maximum flow capacity:

- 1/2" at 16.7 GPM
- 3/4" at 16.7 GPM
- 1" at 16.7 GPM

*GPM based on 25 psi pressure drop.



Certifications/Listings:

Third party certified
 ANSI/NSF 61: Drinking water system components health effects.
 ANSI/NSF 372: Drinking water system components lead content.
 ASSE 1003: Performance requirements for water pressure reducing valves for domestic water distribution.
 CSA B356: Water pressure reducing valves for domestic water supply systems.

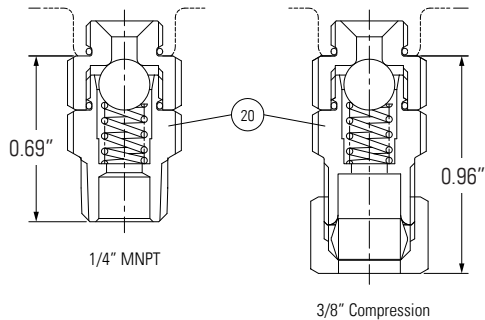
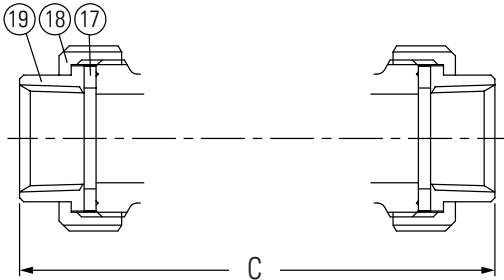
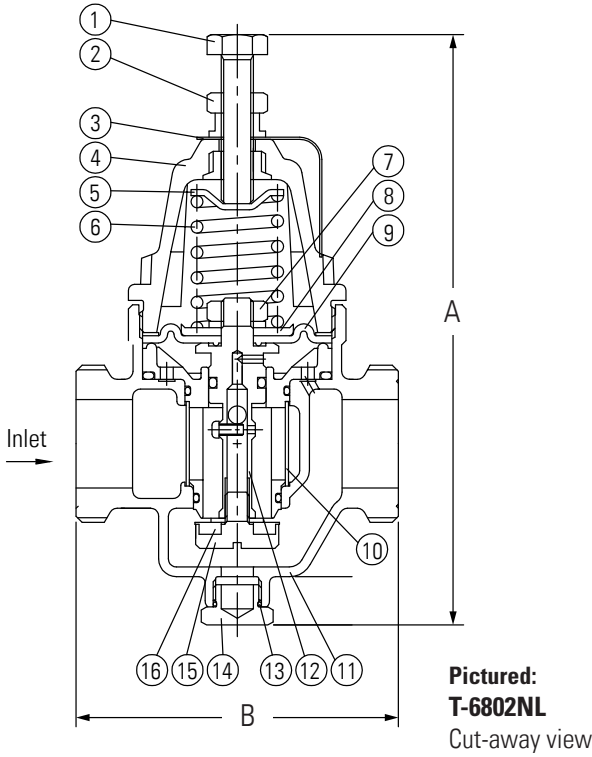
Standards:

ANSI/ASME B1.20.1: Pipe threads, general purpose, Inch.
 ANSI/ASME B16.18: Cast pressure alloy solder-joint pressure fitting.
 ASTM F1807: Metal insert fitting with crimp ring connection.
 ASTM D1784 Class 23447: Standard specification for rigid PVC and CPVC compounds.



NO LEAD COMPACT WATER PRESSURE REDUCING VALVE

T-6802NL



MATERIAL SPECIFICATION

PART	MATERIAL	SPECIFICATION
1	Adjustment bolt	Cadmium Plated Steel ASTM A283-D
2	Lock nut	Cadmium Plated Steel AISI-1010
3	Identification plate	Aluminum ASTM B209 1100
4	Bonnet	Polycarbonate resin, glass-fiber reinforced Commercial grade
		Brass ASTM B584 UNS C85700
5	Spring disc	Zinc Plated Steel ASTM A283-D
6	Spring	Cold-drawn steel wire ASTM A227
7	Diaphragm nut	Cadmium Plated Steel AISI-1010
8	Diaphragm disc	Zinc Plated Steel ASTM A283-D
9	Diaphragm	Reinforced NBR (Buna-N) Rubber Nylon-reinforced Commercial grade,
10	Strainer screen	Stainless steel AISI 304
11	Body	Lead free brass JIS H5120-CAC804
12	Stem	Lead free brass ASTM C46400
13	Plug o-Ring	NBR (Buna-N) rubber Commercial grade
14	Plug	Brass ASTM B16 UNS C36000
15	Plunger	Lead free brass ASTM C46400
16	Plunger seat	NBR (Buna-N) rubber Commercial grade
17	Union washer	NBR (Buna-N) Rubber Commercial grade
18	Union nut	Brass ASTM B584 UNS C85700
19	Union tailpiece	Lead free brass ASTM C46400
20	Relief valve (optional)	Various -

DIMENSIONS

Size	A*	B (body only)	C - Various Connection Types			
			IPS	CxC	PEX	CPVC
1/2"	5.71	4.02	4.65	4.49	4.96	4.67
3/4"	5.71	4.02	4.65	5.00	4.96	5.06
1"	5.75	4.61	5.35	5.91	5.91	5.96
1-1/4"					-	-
1-1/2"					-	-
2"					-	-

*Height of A dimension based on factory setting of 50 psi.