

SUBMITTAL SHEET

JOB NAME	ITEM TAG
JOB LOCATION	PART NUMBER
CONTRACTOR	DATE
ENGINEER APPROVAL	DATE



NO LEAD WATER PRESSURE REDUCING VALVE

T-6800NL

Lead-free design is suitable for all no-lead potable water installations, in full compliance of the lead-free plumbing laws.

Protects water systems by reducing incoming water pressure.

Factory pre-set at 50 psi outlet pressure.

Adjustable outlet pressure range: 25 to 75 psi.

Can be installed vertically or horizontally.

Integral strainer permits in-line cleaning.

Equipped with a thermal expansion bypass.

Working Pressure, Non Shock (PSI)

Cold Water Pressure: 300 psi (max.)

Saturated Steam: Not suitable for steam

Maximum service temperature: 180°F

Maximum inlet water pressure: 300 psi

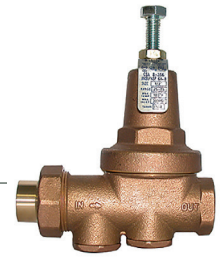
Maximum flow capacity*

1/2" at 21 GPM

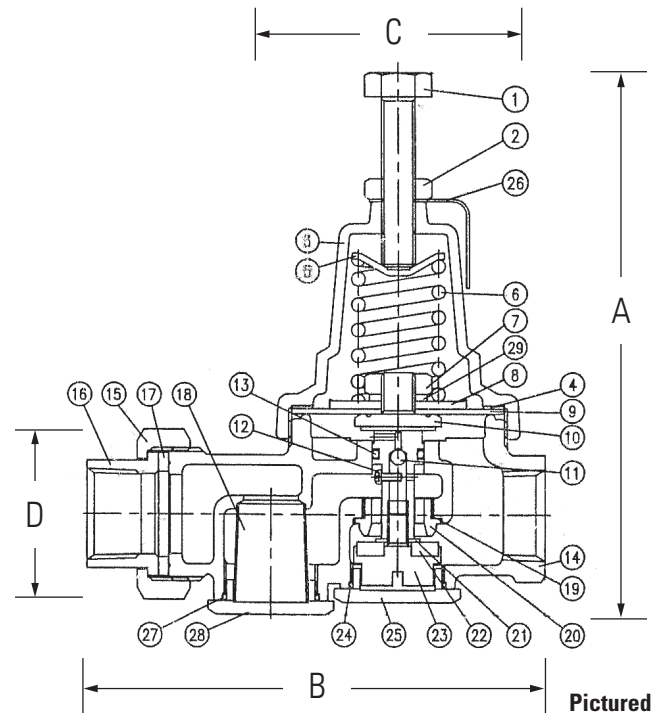
3/4" at 30 GPM

1" at 50 GPM

*GPM based on 25 psi pressure drop



Pictured
T-6800NL



Pictured
T-6800NL
Cut-away

MATERIAL SPECIFICATION

PART	MATERIAL	SPECIFICATION
1	Adjustment bolt	Cadmium Plated Steel ASTM A283-D
2	Lock nut	Cadmium Plated Steel AISI-1010
3	Bonnet	Polycarbonate Resin Glass-fiber Reinforced Commercial grade
4	Anti-friction ring	Cold Drawn Steel Wire ASTM A283-D
5	Spring disc	Zinc Plated Steel ASTM A283-D
6	Spring	Cold Drawn Steel Wire ASTM A227M-91
7	Diaphragm nut	Cadmium Plated Steel AISI-1010
8	Diaphragm disc	Zinc Plated Steel ASTM A283-D
9	Diaphragm	Reinforced NBR (Buna-N) Rubber Commercial grade, Nylon-reinforced
10	Stem	Lead-Free Forged Brass UNS Alloy C46400
11	Rubber ball	NBR (Buna-N) Rubber Commercial grade
12	Ball retaining screw	Stainless Steel AISI 304
13	Stem O-ring	NBR (Buna-N) Rubber Commercial grade
14	Body	Lead-Free Cast Brass UNS Alloy C87850 Eco Brass
15	Union nut	Cast Brass ASTM B584 UNS C85700
16	Union tail piece	Lead-Free Forged Brass UNS Alloy C46400
17	Union washer	NBR (Buna-N) Rubber Commercial grade
18	Strainer screen	Stainless Steel AISI 304
19	Seat O-ring	NBR (Buna-N) Rubber Commercial grade
20	Seat	Stainless Steel AISI 304
21	Plunger washer	Stainless Steel AISI 304
22	Plunger seat	NBR (Buna-N) Rubber Commercial grade
23	Plunger	Lead-Free Forged Brass UNS Alloy C46400
24	Service cap O-ring	NBR (Buna-N) Rubber Commercial grade
25	Service cap	Lead-Free Forged Brass UNS Alloy C46400
26	Name plate	Aluminum ASTM B209 1100
27	Strainer cap O-ring	NBR (Buna-N) Rubber Commercial grade
28	Strainer service cap	Lead-Free Forged Brass UNS Alloy C46400
29	Spring washer	Cold Drawn Steel ASTM A227M-91

DIMENSIONS

Size	A*	B	C	D
1/2"	5.75	5.27	2.76	1.77
3/4"	5.75	5.27	2.76	1.77
1"	6.75	5.27	3.39	2.02

*Height of A dimension based on factory setting of 50 psi.

Certifications/Listings:

Third party certified

ANSI/NSF 61: Drinking water system components health effects.

ANSI/NSF 372: Drinking water system components lead content.

ASSE 1003: Performance requirements for water pressure reducing valves for domestic water distribution.

CSA B356: Water pressure reducing valves for domestic water supply systems.

Standards:

ANSI/ASME B1.20.1: Pipe threads, general purpose, Inch.