

SUBMITTAL SHEET

JOB NAME	ITEM TAG
JOB LOCATION	PART NUMBER
CONTRACTOR	DATE
ENGINEER APPROVAL	DATE

CELCON STOP & WASTE VALVE

Model T-624

Temperature: -20° TO 180°F

Working Pressure, Non Shock (PSI)

Cold working pressure (CWP): 150

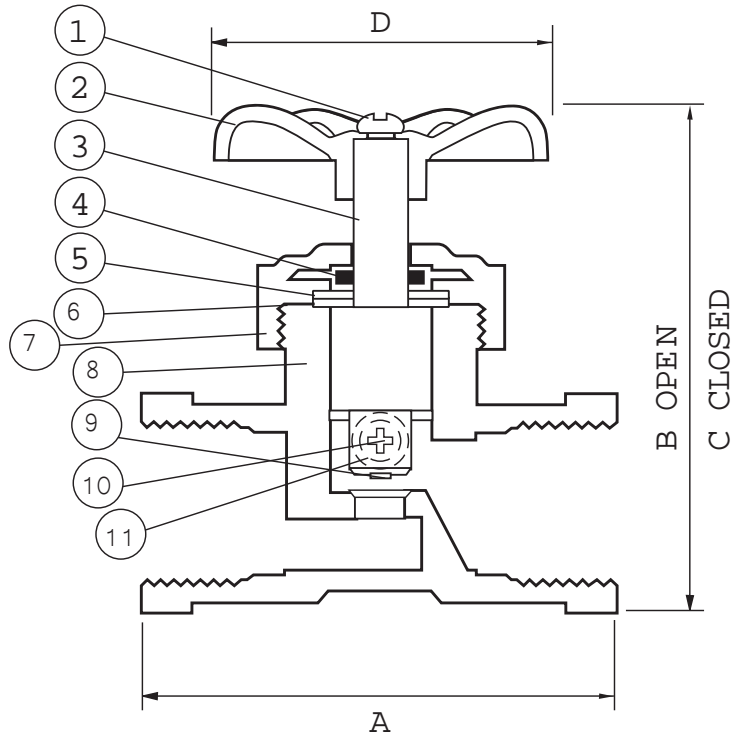
Pictured
Model T-624



Pictured
Model T-624
Cut-away

MATERIAL SPECIFICATION

PART	MATERIAL	SPECIFICATION
1	Screw	Zinc plated steel
2	Hand wheel	Polypropylene
3	Stem	Celcon
4	O-ring	EPDM
5	Hard washer	Celcon
6	Washer	EPDM
7	Bonnet	Celcon
8	Body	Celcon
9	Seat seal	Polyamide 12
10	Waste seal	Zinc plated steel
11	Waste screw washer	EPDM



DIMENSIONS

Size	A	B	C	D
1/2"	2.50	3.63	3.47	2.05
3/4"	2.68	3.78	3.53	2.05