

SUBMITTAL SHEET

JOB NAME _____ ITEM TAG _____

JOB LOCATION _____ PART NUMBER _____

CONTRACTOR _____ DATE _____

ENGINEER APPROVAL _____ DATE _____

LEAD-FREE QUARTER-TURN DUAL OUTLET CHROME SUPPLY STOP

T-597NL

Lead-free design is suitable for all no-lead potable water installations, in full compliance of all lead-free plumbing laws.

Quarter-turn, self-cleaning ball valve design resists mineral and scale build-up, assuring positive shutoff and re-opening.

The ball-seat operation and dual O-ring stem seal features, out-perform traditional multi-turn stop designs.

Compact, chrome plated forged brass bodies are durable and decorative.

An ideal upgrade replacement for worn, leaking stops that won't close completely.

Available in four configurations, with FIP and compression inlet connections.

- Third-party tested and certified in compliance with U.S. Federal Public Law 111-380 (National lead-free plumbing law).

- Truesdail Labs Certified to ANSI / NSF Standard 61-G.

- FNPT pipe inlet connections comply with ANSI / ASME B1.20.1

- Manufactured in an ISO accredited facility.



**Pictured:
Model T-597NL**



Working Pressure, Non Shock (PSI)

Cold working pressure (CWP): 125 p.s.i. Maximum service temp. 120°F

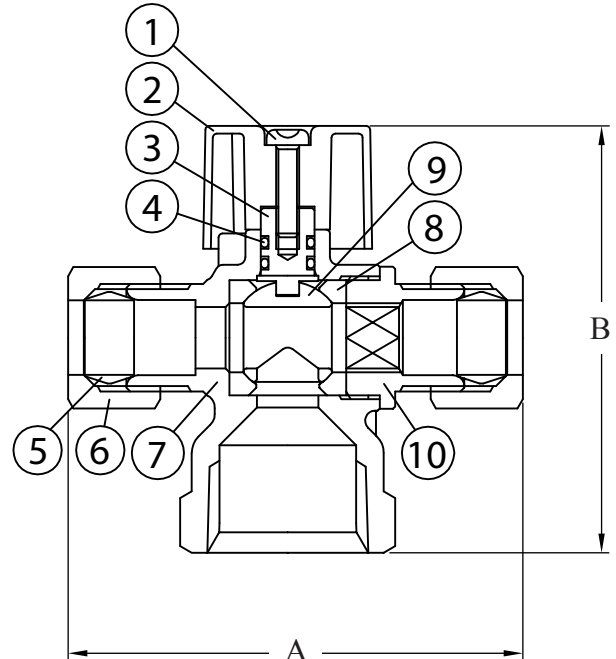
Saturated steam (WSP): Not suitable for steam service

MATERIAL SPECIFICATION

PART	MATERIAL	SPECIFICATION
1 Handle screw	Plated carbon steel	AISI 1010
2 Handle	Chrome plated zinc	ASTM B86
3 Stem	Lead-free brass	UNS Alloy C46400
4 Stem O-ring (2)	NBR (Buna-N) Rubber	Commercial grade
5 Compression ferrule	Tubular Brass	UNS Alloy C26000
6 Compression nut	Chrome plated brass	UNS Alloy C36000
7 Body	Lead-free chrome plated brass	UNS Alloy C46400
8 Seat (2)	EPDM rubber	Commercial grade
9 Ball	Lead-free chrome plated brass	UNS Alloy C46400
10 End adapter	Lead-free chrome plated brass	UNS Alloy C46400

DIMENSIONS

Size	A	B
1/2" FIP x 3/8" OD x 3/8" OD	2.32	2.20
5/8" OD x 3/8" OD x 3/8" OD	2.32	2.52
1/2" FIP x 3/8" OD x 1/4" OD	2.24	2.20
5/8" OD x 3/8" OD x 1/4" OD	2.24	2.52



**Pictured:
Model T-597NL
FIP x OD x OD
Cut-away**