

**SUBMITTAL SHEET**

JOB NAME	ITEM TAG
JOB LOCATION	PART NUMBER
CONTRACTOR	DATE
ENGINEER APPROVAL	DATE



**LEAD-FREE QUARTER-TURN BALL-TYPE CHROME SUPPLY STOP**  
**T-596NL**



Lead-free design is suitable for all no-lead potable water installations, in full compliance of all lead-free plumbing laws.

Quarter-turn, self-cleaning ball valve design resists mineral and scale build-up, assuring positive shutoff and re-opening.

The ball-seat operation and dual O-ring stem seal features, out-perform traditional multi-turn stop designs.

Compact, forged brass, chrome plated or polished brass bodies are both durable and decorative.

An ideal upgrade replacement for worn, leaking stops that won't close completely.

Available in six straight-pattern configurations, including PEX, compression, and Sweat inlet connections.

**Working Pressure, Non Shock (PSI)**

Cold working pressure (CWP): 125 psi  
Saturated steam (WSP): Not suitable for steam service  
Maximum service temperature: 120° F

DIMENSIONS		
Size	A	B
3/8" FIP x 3/8" OD	1.10	2.01
1/2" FIP x 3/8" OD	1.10	2.17
5/8" OD x 3/8" OD*	1.10	2.44
1/2" CPVC x 3/8" OD	1.10	2.76
1/2" PEX x 3/8" OD	1.10	2.24
1/2" PEX x 1/2" PEX	1.10	2.24
1/2" SWT x 3/8" OD	1.10	2.40
Icemaker Options:		
5/8" OD x 1/4" OD	1.10	2.37
1/2" PEX x 1/4" OD	1.10	2.17

\* Available in chrome plated or polished brass finishes

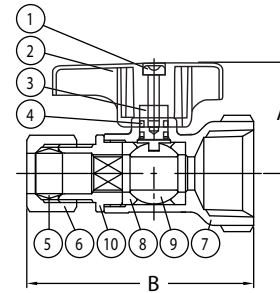
MATERIAL SPECIFICATION			
PART	MATERIAL	SPECIFICATION	
1	Handle screw	Plated carbon steel	AISI 1010
2	Handle	Chrome plated zinc	ASTM B86
3	Stem	Lead-free brass	ASTM B124 UNS C46400
4	Stem O-ring (2)	NBR (Buna-N) rubber	Commercial grade
5	Compression ferrule	Brass	ASTM B135 UNS C26000
6	Compression nut	Chrome plated brass	ASTM B16 UNS C36000
7	Body	Lead-free brass	ASTM B124 UNS C46400
8	Seat (2)	EPDM rubber	Commercial grade
9	Ball	Lead-free brass	ASTM B124 UNS C46400
10	End adapter	Lead-free brass	ASTM B124 UNS C46400
11	Compression ferrule (compression inlet only)	Brass	ASTM B135 UNS C26000
12	Compression nut (compression inlet only)	Chrome plated brass	ASTM B16 UNS C36000
13	Compression nut (CPVC adapter inlet only)	Chrome plated brass	ASTM B16 UNS C36000
14	Adapter gasket (CPVC adapter inlet only)	NBR (Buna-N) rubber	Commercial grade
15	Socket adapter (CPVC adapter inlet only)	Virgin CPVC resin	ASTM D1784, Class 23447
16	PEX barb adapter (PEX inlet only)	Lead-free brass	ASTM B124 UNS C46400

**Certifications/Listings:**

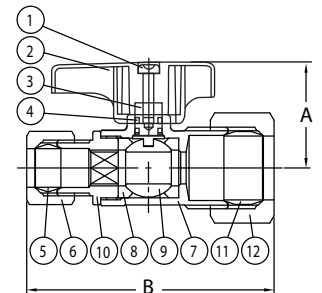
Third-party certified.  
ANSI/NSF 61: Drinking water system components health effects.  
ANSI/NSF 372: Drinking water system components lead content.

**Standards:**

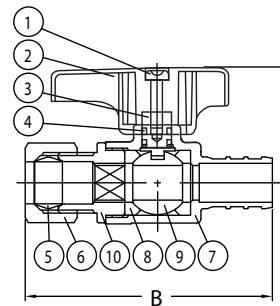
ANSI/ASME B1.20.1: Pipe threads, general purpose (inch)  
ANSI/ASME B16.18: Cast copper alloy solder joint pressure fitting.  
ASTM F 1807: Metal insert fitting with crimp connection.



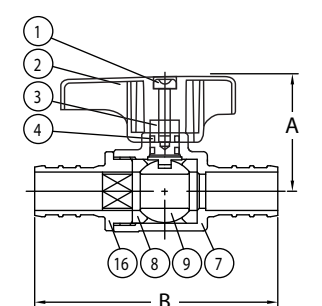
**Pictured:**  
FNPT inlet connection



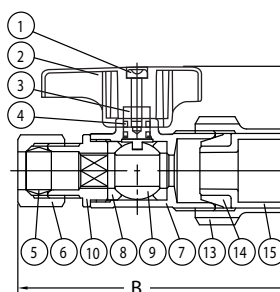
**Pictured:**  
5/8" O.D. compression inlet



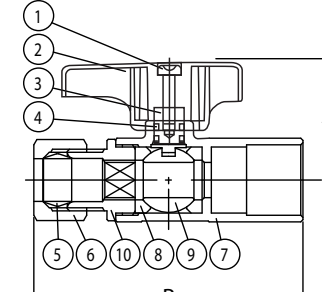
**Pictured:**  
PEX barb inlet connection (crimp-ring, part number 460-903 sold separately)



**Pictured:**  
PEX x PEX barb connections (crimp-ring, part number 460-903 sold separately)



**Pictured:**  
CPVC solvent-weld inlet connection



**Pictured:**  
Sweat tubing inlet connection