

SUBMITTAL SHEET

JOB NAME _____ ITEM TAG _____

JOB LOCATION _____ PART NUMBER _____

CONTRACTOR _____ DATE _____

ENGINEER APPROVAL _____ DATE _____

LEAD-FREE QUARTER-TURN BALL-TYPE CHROME SUPPLY STOP T-596NL

Lead-free design is suitable for all no-lead potable water installations, in full compliance of all lead-free plumbing laws.

Quarter-turn, self-cleaning ball valve design resists mineral and scale build-up, assuring positive shutoff and re-opening.

The ball-seat operation and dual O-ring stem seal features, out-perform traditional multi-turn stop designs.

Compact, forged brass, chrome plated or polished brass bodies are both durable and decorative.

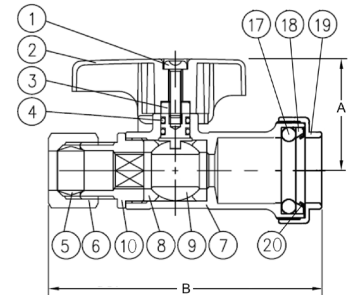
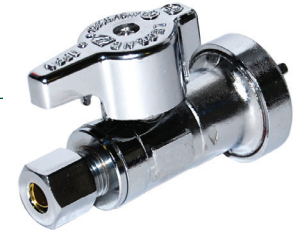
An ideal upgrade replacement for worn, leaking stops that won't close completely.

Available in seven straight-pattern configurations, including PEX, Insta-Loc® push-connect and sweat inlet connections.

Working Pressure, Non Shock (PSI)

Cold working pressure (CWP):	125 psi
Saturated steam (WSP):	Not suitable for steam service
Maximum service temperature:	120° F

- Third-party tested and certified in compliance with U.S. Federal Public Law 111-380 (National lead-free plumbing law).
- Truesdail Labs Certified to ANSI / NSF Standard 61-G.
- UPC / IAPMO Listed
- Connections comply with:
ANSI / ASME B1.20.1 (FNPT)
ANSI / ASME B16.18 (CTS Solder)
ASTM F1807 (PEX barb)
- Manufactured in an ISO accredited facility



Pictured
Insta-Loc® push-to-connect inlet connection

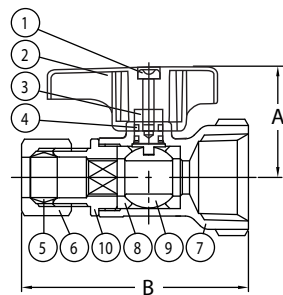
DIMENSIONS

Size	A	B
3/8" FIP x 3/8" OD	1.10	2.01
1/2" FIP x 3/8" OD	1.10	2.17
5/8" OD x 3/8" OD*	1.10	2.44
1/2" CPVC x 3/8" OD	1.10	2.76
1/2" PEX x 3/8" OD	1.10	2.24
1/2" PEX x 1/2" PEX	1.10	2.24
1/2" SWT x 3/8" OD	1.10	2.40
1/2" push-to-connect x 3/8" OD	1.10	2.62
IceMaker Options:		
5/8" OD x 1/4" OD	1.10	2.37
1/2" push-to-connect x 1/4" OD	1.10	2.54
1/2" PEX x 1/4" OD	1.10	2.17

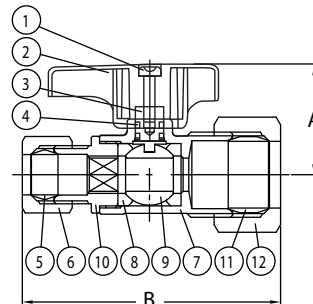
* Available in chrome plated or polished brass finishes

MATERIAL SPECIFICATION

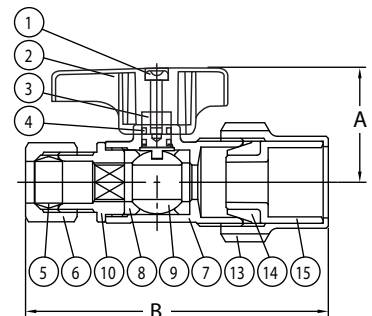
PART	MATERIAL	SPECIFICATION
1 Handle screw	Plated carbon steel	AISI 1010
2 Handle	Chrome plated zinc	ASTM B86
3 Stem	Lead-free brass	ASTM B124 UNS C46400
4 Stem O-ring (2)	NBR (Buna-N) rubber	Commercial grade
5 Compression ferrule	Brass	ASTM B135 UNS C26000
6 Compression nut	Chrome plated brass	ASTM B16 UNS C36000
7 Body	Lead-free brass	ASTM B124 UNS C46400
8 Seat (2)	EPDM rubber	Commercial grade
9 Ball	Lead-free brass	ASTM B124 UNS C46400
10 End adapter	Lead-free brass	ASTM B124 UNS C46400
11 Compression ferrule (compression inlet only)	Brass	ASTM B135 UNS C26000
12 Compression nut (compression inlet only)	Chrome plated brass	ASTM B16 UNS C36000
13 Compression nut (CPVC adapter inlet only)	Chrome plated brass	ASTM B16 UNS C36000
14 Adapter gasket (CPVC adapter inlet only)	NBR (Buna-N) rubber	Commercial grade
15 Socket adapter (CPVC adapter inlet only)	Virgin CPVC resin	ASTM D1784, Class 23447
16 PEX barb adapter (PEX inlet only)	Lead-free brass	ASTM B124 UNS C46400
17 O-ring (push-to-connect inlet only)	EPDM rubber	Commercial grade
18 Guide ring (push-to-connect inlet only)	Acetal resin	Copolymer 90
19 Retainer nut (push-to-connect inlet only)	Chrome plated brass	ASTM B124 UNS C37700
20 Grip ring (push-to-connect inlet only)	Stainless steel	AISI 304



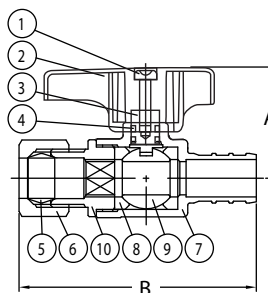
Pictured
FNPT inlet connection



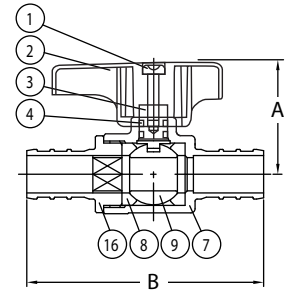
Pictured
5/8" O.D. compression inlet



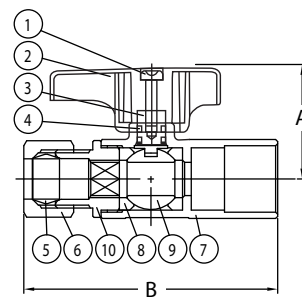
Pictured
CPVC solvent-weld inlet connection



Pictured
PEX barb inlet connection (crimp-ring, part number 460-903 sold separately)



Pictured
PEX x PEX barb connections (crimp-ring, part number 460-903 sold separately)



Pictured
Sweat tubing inlet connection