

SUBMITTAL SHEET

JOB NAME	ITEM TAG
JOB LOCATION	PART NUMBER
CONTRACTOR	DATE
ENGINEER APPROVAL	DATE

LEAD-FREE TRADITIONAL MULTI-TURN ANGLE-PATTERN CHROME SUPPLY STOPS T/S-581NL, T-581PNL, S-581ETNL T/S-581RBNL, T/S-581PBNL, T/S-583NL and T/S-581LSNL

Lead-free design is suitable for all no-lead potable water installations, in full compliance of all lead-free plumbing laws.

Compact, lead-free brass body is machined from a single piece of barstock, providing the highest level of durability and strength.

Thermoplastic stems (except sweat configurations) resist scale and debris build-up better than metallic stems, even in hard water conditions.

Each stop is individually packaged, preventing connection component loss and protecting the stop from contamination.

Available in eleven angle-pattern configurations, including compression, PEX, sweat, extended-tube and FNPT inlet connections.

Available in chrome-plated, polished brass and rough-brass finishes.

Working Pressure, Non Shock (PSI)

Cold working pressure (CWP): 110

Saturated steam (WSP): Not suitable for steam service

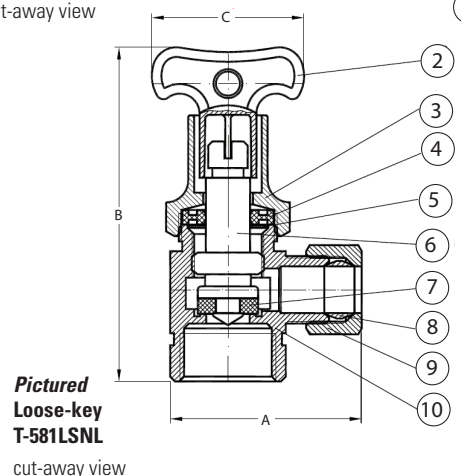
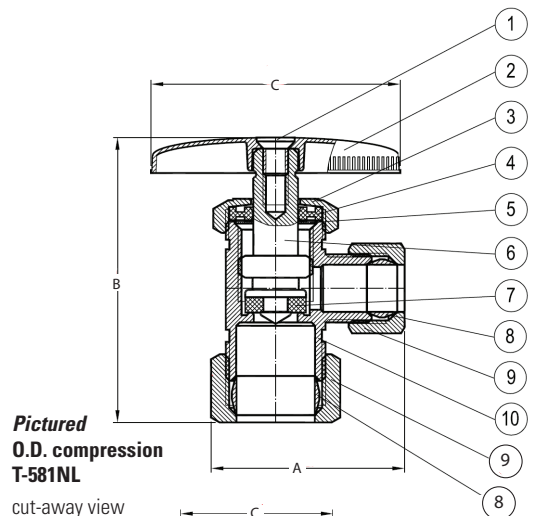
- Third-party tested and certified in compliance with U.S. Federal Public Law 111-380 (National lead-free plumbing law).
- Certified to ANSI/NSF Standard 61-G
- End connections conform to ANSI/ASME B1.20.1 (FNPT) ANSI/ASME B16.18 (CTS Solder) ASTM F1807 (PEX Barb)
- Manufactured in an ISO accredited facility



DIMENSIONS				
(Inlet x Outlet)	A	B(closed)	C	
3/8" OD x 3/8" OD	1.43	2.24	2.02	
5/8" OD x 3/8" OD**	1.57	2.31	2.02	
5/8" OD x 1/4" OD	1.51	2.45	2.02	
3/8" FNPT x 3/8" OD	1.46	2.08	2.02	
1/2" FNPT x 3/8" OD*	1.57	1.97	2.02	
1/2" CPVC x 3/8" OD	1.58	2.73	2.02	
1/2" PEX x 3/8" OD	1.43	2.36	2.02	
1/2" Tubing sweat x 3/8" OD*	1.44	1.99	2.02	
1/2" Sweat extended-tube x 3/8" OD	2.40	6.69	2.02	
1/2" FNPT x 1/2" OD	1.67	2.13	2.02	
5/8" OD x 1/2" OD	1.58	2.43	2.02	
1/2" Tubing sweat x 1/2" OD*	1.52	2.05	2.02	
1/2" FNPT x 1/2" or 7/16" OD Slip-joint	1.56	2.07	2.02	
5/8" OD x 1/2" or 7/16" OD Slip-joint	1.58	2.38	2.02	
1/2" Tubing sweat x 1/2" or 7/16" OD Slip-joint	1.48	2.19	2.02	
1/2" FNPT x 3/8" OD with lockshield and loose-key	1.58	2.76	1.24	
5/8" OD x 3/8" OD with lockshield and loose-key	1.44	3.10	1.24	
1/2" Tubing sweat x 3/8" OD with lockshield and loose key	1.44	2.75	1.24	

*Also available in rough brass (unplated)

**Also available in rough brass (unplated) and polished brass finishes



SUBMITTAL SHEET

JOB NAME	ITEM TAG
JOB LOCATION	PART NUMBER
CONTRACTOR	DATE
ENGINEER APPROVAL	DATE

MATERIAL SPECIFICATION		
PART	MATERIAL	SPECIFICATION
1 Handle screw	Chrome plated brass	JIS 3260 UNS C2600W
2 Handle (or loosekey)	Chrome plated die-cast brass (loosekey only: polished brass finish)	ASTM Z30A Copper alloy #858
3 Bonnet	Chrome plated forged brass	UNS Alloy C37700
4 Stem packing	EPDM rubber	Commercial grade, NSF approved
5 Anti-friction packing support washer	Stainless steel	AISI grade 304
6 Stem	Acetal copolymer (Loose-key and sweat configurations: CP lead-free forged brass)	Celcon® M90 resin (Loose-key and sweat configurations:UNS Alloy C46400)
7 Seat washer	EPDM rubber	Commercial grade, NSF approved
8 Compression ferrule	Lead-free forged brass*	UNS Alloy C46400
9 Compression nut	Chrome plated forged brass	UNS Alloy C37700
10 Body	Lead-free chrome plated forged brass*	UNS Alloy C46400
11 Extension tube (model S-581ETNL only)	Lead-free chrome plated brass	UNS Alloy C26000
12 Escutcheon (model S-581ETNL only)	Stainless steel	AISI grade 304
13 Adapter gasket (1/2" CPVC T-581NL only)	NBR (Buna-N) rubber	Commercial grade, NSF approved
14 CPVC tubing adapter (1/2" CPVC T-581NL only)	Virgin CPVC resin	ASTM D1784, Class 23447
15 Compression nut (1/2" CPVC T-581NL only)	Chrome plated forged brass	UNS Alloy C37700
16 Slip-joint gasket (model T/S-583NL only)	EPDM rubber	Commercial grade, NSF approved
17 Anti-friction washers (two) (model T/S-583NL only)	Lead-free brass	UNS Alloy C26000
18 Compression nut (model T/S-583NL only)	Chrome plated forged brass	UNS Alloy C37700

*rough brass (unplated) and polished brass configurations are also lead-free

