

SUBMITTAL SHEET

JOB NAME	ITEM TAG
JOB LOCATION	PART NUMBER
CONTRACTOR	DATE
ENGINEER APPROVAL	DATE

COMP X GHT HEAVY PATTERN NO-KINK HOSE BIBB

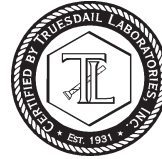
Model T-536HP

- 125 W.O.G.
- NSF 61-8

Working Pressure, Non Shock (PSI)

Cold working pressure (CWP):

Saturated steam (WSP):



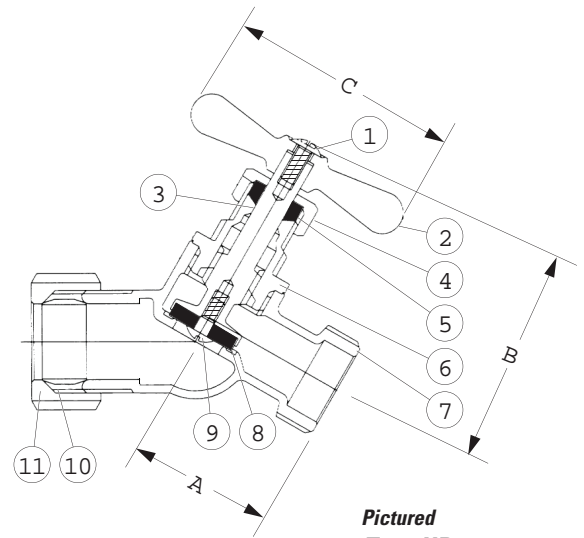
*Pictured
T-536HP*

MATERIAL SPECIFICATION

PART	MATERIAL	SPECIFICATION
1	Screw	Steel AISI 1010
2	Handle	Zinc alloy 230A
3	Stem	Brass B584 C85710
4	Packing nut	Brass B16 C36000
5	Packing	Graphite
6	Bonnet	Brass ASTM B584 C85700
7	Body	Brass ASTM B584 C85700
8	Seat	Buna-n
9	Seat screw	Brass ASTM B134 C27000
10	Compression ring	Brass ASTM B135 C2600
11	Compression nut	Brass ASTM B584 C87700

DIMENSIONS

Size	A	B	C
1/2"	1.46	2.28	2.36



*Pictured
T-536HP
Cut-away*