

## SUBMITTAL SHEET

|                   |             |
|-------------------|-------------|
| JOB NAME          | ITEM TAG    |
| JOB LOCATION      | PART NUMBER |
| CONTRACTOR        | DATE        |
| ENGINEER APPROVAL | DATE        |

# LEAD-FREE HEAVY-PATTERN NO-KINK HOSE BIBB

## T-533HPNL and T-534HPNL

Lead-free design is suitable for all no-lead potable water installations, in full compliance of all lead-free plumbing laws.

Larger, heavy-duty body, bonnet, stem and handle are designed for frequent-use commercial or residential water applications.

Oversized hose-threaded outlet with extra thread, provides a positive-seal connection between valve and hose end.

All sizes accept 3/4" hose-thread-mounted vacuum breakers, including our models T-553, T-553C, T-554, T-555 and T-556\*

No-kink body design angles the attached hose outward, reducing the possibility of kinking unreinforced hose types.

Six-sided wrench flats at the inlet connection are 45 percent larger than standard hose bibb flats, permitting more tool contact and easier installation.

Equipped with a stem packing and packing nut design, which are superior to packless-bonnet stem seal designs.

Heavy-pattern design features include uni-directional flow, 2-1/2-turn operation and large waterways.

Available in nominal 1/2" or 3/4" MNPT & FNPT pipe thread x 3/4" MGHT hose thread sizes, the male NPT inlet connection of the 1/2" T-533HP can also be sweat onto 1/2" nominal copper tubing.

*\*These models are not included with the T-533HPNL and do not appear on this submittal sheet. Please check your local backflow prevention code requirements and contact Legend for additional submittal information.*

### Working Pressure, Non Shock (PSI)

Cold working pressure (CWP): 125 p.s.i.  
Saturated steam (WSP): Not suitable for steam applications

### MATERIAL SPECIFICATION

| PART | MATERIAL      | SPECIFICATION                                 |
|------|---------------|---|
| 1    | Handle screw  | Hot-rolled carbon steel<br>AISI1010R          |
| 2    | T-handle      | Zinc<br>Commercial grade, Z30A                |
| 3    | Packing nut   | Lead-free forged brass<br>UNS Alloy C87850    |
| 4    | Stem packing  | Graphite<br>LK 33 NAFG                        |
| 5    | Bonnet        | Lead-free forged brass<br>UNS Alloy C87850    |
| 6    | Bonnet gasket | Polyacetal resin<br>Commercial grade, POM M90 |
| 7    | Stem          | Lead-free forged brass<br>UNS Alloy C87850    |
| 8    | Seat          | NBR (Buna-N) rubber<br>Commercial grade       |
| 9    | Seat screw    | Forged brass<br>UNS Alloy C87850              |
| 10   | Body          | Lead-free cast brass<br>UNS Alloy C87850      |

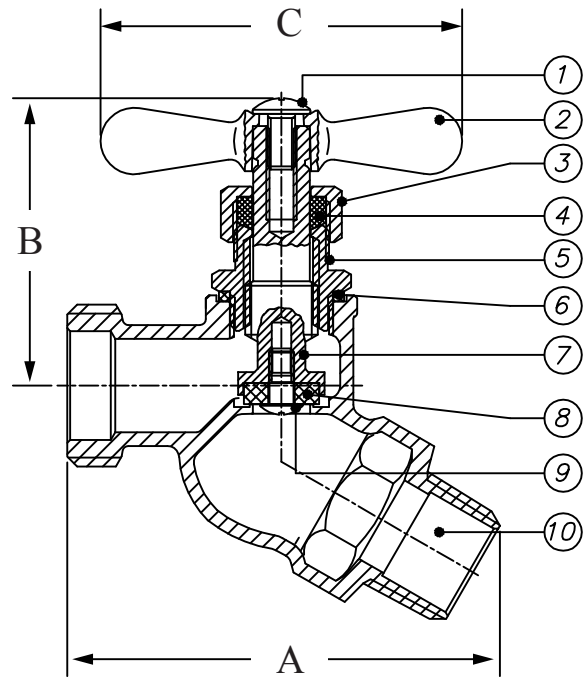
### DIMENSIONS

| Size      | A    | B    | C    |
|-----------|------|------|------|
| 1/2" MNPT | 2.87 | 2.24 | 2.36 |
| 3/4" MNPT | 2.97 | 2.24 | 2.36 |
| 1/2" FNPT | 2.44 | 2.24 | 2.36 |
| 3/4" FNPT | 2.50 | 2.24 | 2.36 |

- Third-party tested and certified in compliance with U.S. Federal Public Law 111-380 (National lead-free plumbing law).
- UPC / IAPMO Certified to ANSI/NSF Standard 61-G.
- End connections comply with:
  - ANSI / ASME B1.20.1 (MNPT)
  - ANSI / ASME B16.18 (CTS solder)
  - ANSI / ASME B1.20.7 (male garden hose)
- Manufactured in an ISO accredited facility.



**Pictured  
T-533HPNL**



**Pictured  
T-533HPNL  
Cut-away view**