

SUBMITTAL SHEET

JOB NAME	ITEM TAG
JOB LOCATION	PART NUMBER
CONTRACTOR	DATE
ENGINEER APPROVAL	DATE

HEAVY-PATTERN NO-KINK HOSE BIBB

T-533HP

Larger, heavy-duty body, bonnet, stem and handle are designed for frequent-use commercial or residential water applications

Oversized hose-threaded outlet with extra thread, provides a positive-seal connection between valve and hose end

Both sizes accept 3/4" hose-thread-mounted vacuum breakers, including our models T-553, T-553C, T-554, T-555 and T-556*

No-kink body design angles the attached hose outward, reducing the possibility of kinking unreinforced hose types

Six-sided wrench flats at the inlet connection are 45 percent larger than standard hose bibb flats, permitting more tool contact and easier installation

Equipped with a stem packing and packing nut design, which are superior to packless-bonnet stem seal designs

Heavy-pattern design features include uni-directional flow, 2-1/2-turn operation and large waterways

Available in nominal 1/2" or 3/4" MNPT pipe thread x 3/4" MGHT hose thread sizes, the male NPT inlet connection of the 1/2" T-533HP can also be sweat onto 1/2" nominal copper tubing

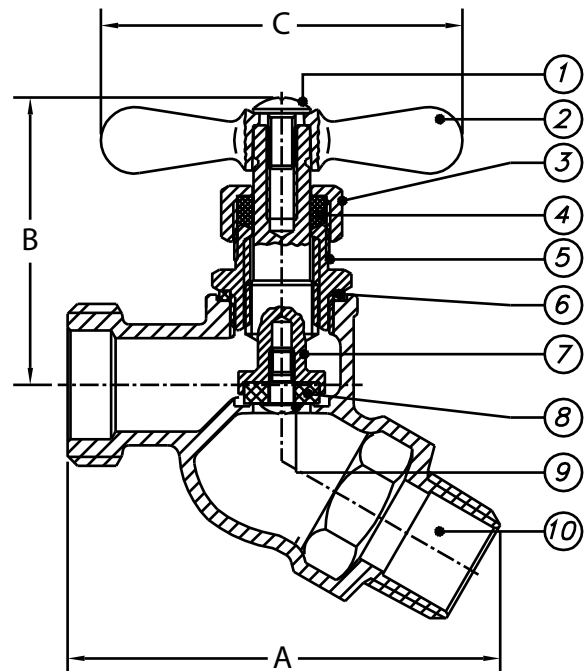
Working Pressure, Non-Shock (PSI)

Cold working pressure (CWP): 125

Saturated steam (WSP): Not suitable for steam applications



- End connections comply with the following specifications:
 - ANSI / ASME B1.20.1 (male NPT inlet)
 - ANSI / ASME B16.18 (1/2" CTS solder inlet)
 - ANSI / ASME B1.20.7 (3/4" male garden hose outlet)
- CSA certified for Canadian plumbing applications
- Manufactured in an ISO accredited facility



**Pictured
T-533HP**
Cut-away view

MATERIAL SPECIFICATION			
PART	MATERIAL	SPECIFICATION	
1 Handle screw	Hot-rolled carbon steel	AISI / SAE 1010R	
2 T-handle	Zinc	Commercial grade, Z30A	
3 Packing nut	Forged brass	ASTM B16 UNS C36000	
4 Stem packing	Graphite	Commercial grade, LK 33 NAFG	
5 Bonnet	Forged brass	ASTM B16 UNS C36000	
6 Bonnet gasket	Polyacetal resin	Commercial grade, POM M90	
7 Stem	Forged brass	ASTM B16 UNS C36000	
8 Seat	NBR (Buna-N) rubber	Commercial grade	
9 Seat screw	Forged brass	ASTM B124 UNS C37700	
10 Body	Cast brass	ASTM B584 UNS C85710	

DIMENSIONS			
Size	A	B (open)	C
1/2" MNPT x 3/4" MGHT	2.87	2.24	2.36
3/4" MNPT x 3/4" MGHT	2.97	2.24	2.36

*These models are not included with the T-533HP and do not appear on this submittal sheet. Please check your local backflow prevention code requirements and contact Legend for additional submittal information.