

SUBMITTAL SHEET

| | |
|-------------------|-------------|
| JOB NAME | ITEM TAG |
| JOB LOCATION | PART NUMBER |
| CONTRACTOR | DATE |
| ENGINEER APPROVAL | DATE |

LEAD-FREE WATER PRESSURE RELIEF VALVE

Model T-50NL

Lead-free design is suitable for all no-lead potable water installations, in full compliance of all lead-free plumbing laws.

Available with two factory pre-set water pressure relief pressures, to accommodate residential and commercial well applications: 75 p.s.i. and 100 p.s.i.

Designed and calibrated for water well pressure relief, to prevent system damage.

Adjustable relief pressures, from 75 or 100 p.s.i., to 150 p.s.i.

Heavy-duty stainless steel coil-spring design ensures positive closure.

Working Pressure, Non Shock (PSI)

Cold working pressure (CWP): 150 psi up to 180°F
Saturated steam (WSP): Not suitable for steam service

Adjustment procedure:

1. Remove knurled access cap (Part #1)
2. Mark the position of the screwdriver slot in the disc (Part #3), in relation to the body (Part #8); Using a permanent marker, make a reference mark on the top edge of the body, at either end of the slot.
3. With a large flat-blade screwdriver, turn the disc clockwise to INCREASE the relief pressure. One complete 360° revolution equates to a 25 p.s.i. increase: 75 p.s.i. factory setting plus three complete revolutions from the reference mark attains the 150 p.s.i. setting. 100 p.s.i. factory setting plus two complete revolutions from the reference mark attains the 150 p.s.i. setting.
4. Replace the knurled cap. Do not over-tighten.

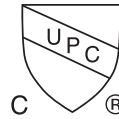
DIMENSIONS

| Size | A | B | C |
|------------------------------------|------|------|------|
| 1/2" MNPT inlet x 1/2" FNPT outlet | 2.46 | 1.42 | 1.02 |
| 3/4" MNPT inlet x 1/2" FNPT outlet | 2.48 | 1.42 | 1.02 |

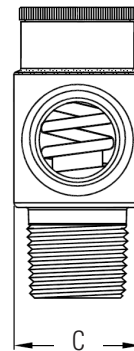
MATERIAL SPECIFICATION

| PART | MATERIAL | SPECIFICATION |
|----------------------|------------------------------------|--|
| 1 Access cap | Lead-free forged brass | UNS Alloy C46400 |
| 2 Cap seal | Nitrilic-bonded non-asbestos fiber | Commercial grade |
| 3 Disc | Lead-free forged brass | UNS Alloy C46400 |
| 4 Spring | Stainless Steel | AISI Grade 304 |
| 5 Seat-spring piston | Lead-free forged brass | UNS Alloy C46400 |
| 6 Seat washer | EPDM rubber | Commercial grade, NSF approved for potable water |
| 7 Seat screw | Copper | JIS H3260 ALLOY TYPE C2600W |
| 8 Body | Lead-free forged brass | UNS Alloy C46400 |

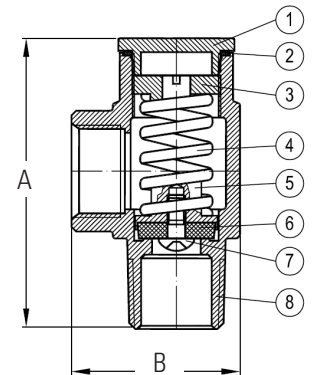
- Third-party tested and certified in compliance with U.S. Federal Public Law 111-380.
- End connections conform to ANSI / ASME B1.20.1
- Not suitable for applications requiring an ASME-approved relief valve. The T-50 is not ASME approved.
- Manufactured in an ISO accredited facility



Pictured Model T-50NL



Pictured Model T-50NL
Side view



Pictured Model T-50NL
Cut-away