

**SUBMITTAL SHEET**

JOB NAME	ITEM TAG
JOB LOCATION	PART NUMBER
CONTRACTOR	DATE
ENGINEER APPROVAL	DATE

**CONVECTOR STEAM VALVE**

**Model T-433**

60 hot water non-shock

**Working Pressure, Non Shock (PSI)**

Cold working pressure (CWP):

Saturated steam (WSP): 15

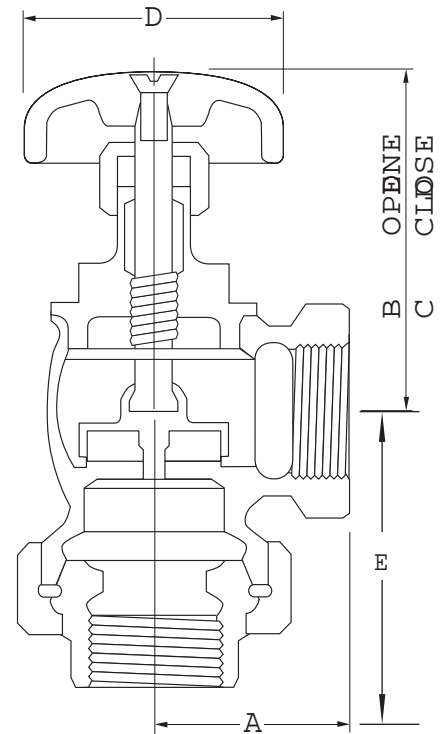


**Pictured Model T-433**

MATERIAL SPECIFICATION		
PART	MATERIAL	SPECIFICATION
1	Handle screw	Steel
2	Handle	Phenolic
3	Packing nut	Brass
4	Union nut	Bronze
5	Tailpiece	Bronze
6	Packing	*Teflon
7	Stem	Forged brass
8	Bonnet	Bronze
9	Disc holder	Bronze
10	Body	Bronze
11	Lock nut	Brass
12	Disc	EPDM
13	Disc nut	Brass

\*Teflon is a registered trademark of DUPONT

DIMENSIONS					
Size	A	B	C	D	E
1"	1.67	3.54	2.87	2.30	2.29
1-1/4"	1.73	3.81	3.27	2.30	2.84



**Pictured Model T-433 Cut-away**