

SUBMITTAL SHEET

JOB NAME	ITEM TAG
JOB LOCATION	PART NUMBER
CONTRACTOR	DATE
ENGINEER APPROVAL	DATE

LEAD-FREE BRONZE & CAST IRON METER FLANGES

T-4216NL & T-4217NL

Lead-free design is suitable for all no lead potable water installations, in full compliance of all lead-free plumbing laws.

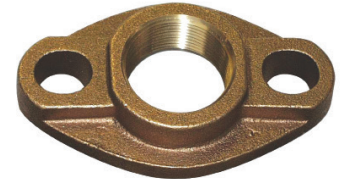
Threaded onto the water supply piping, they're typically installed in pairs, upstream and downstream of the meter, to permit installation of the flanged-end water meter.

Available in nominal pipe sizes 1-1/2" and 2".

Working Pressure, Non Shock (PSI)

Cold working pressure (CWP): 150
Saturated steam (WSP): Not suitable for steam service

- Third-party tested and certified in compliance with U.S. Federal Public Law 111-380 (National lead-free plumbing law).
- NSF/ANSI 372 certified.
- Manufactured in compliance AWWA C800 Specifications.
- Female pipe thread connections comply with ANSI/ASME B1.20.1

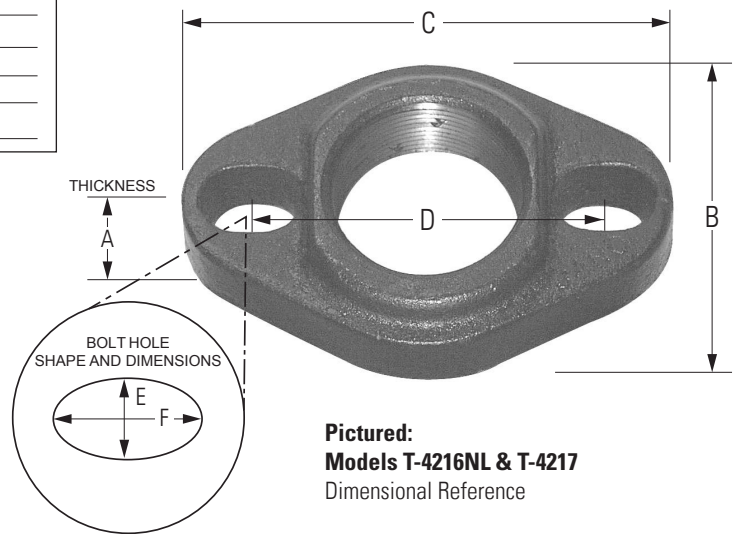


Pictured:
T-4216NL



Pictured:
T-4217

MATERIAL SPECIFICATION		
PART	MATERIAL	SPECIFICATION
Model T-4216NL	Lead-free bronze	ASTM B584 UNS C89836
Model T-4217	Cast iron (lead-free)	ASTM A126 Class B
*Gaskets and hardware not included		



Pictured:
Models T-4216NL & T-4217
Dimensional Reference

DIMENSIONS								
Part No.	Size	Model	A	B	C	D	E	F
313-707NL	1-1/2"	T-4216NL	.92	3.32	5.41	3.88	0.74	0.78
313-708NL	2"	T-4216NL	.94	3.93	5.95	4.28	0.75	0.78
313-717	1-1/2"	T-4217	1.12	3.59	5.43	3.97	0.78	0.78
313-718	2"	T-4217	1.06	3.93	5.92	4.22	0.79	1.04