

## SUBMITTAL SHEET

JOB NAME	ITEM TAG
JOB LOCATION	PART NUMBER
CONTRACTOR	DATE
ENGINEER APPROVAL	DATE

# BRASS NON-RISING STEM GATE VALVE

## Model T-408X

Brass cross handle, ideally suited for irrigation box applications.

Durable, all-brass body construction.

Non-rising stem design is compact and reliable.

Solid, fully-guided disc-wedge opens completely out of the flow path.

Full-flow waterway reduces pressure drop, permitting consistent flow.

Integral seats are precision-ground to match each disc-wedge.

Available in nominal sizes 1/2" to 2".

- End connections comply with ANSI / ASME B1.20.1
- Manufactured in an ISO accredited facility



**Pictured Model T-408X**

### Working Pressure, Non-Shock (PSI)

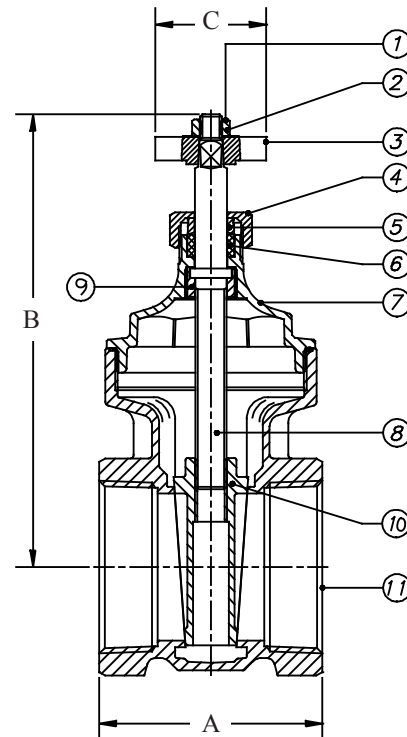
Cold working pressure (CWP): 200 PSI  
Saturated Steam: Not suitable for steam service

### MATERIAL SPECIFICATION

PART	MATERIAL	SPECIFICATION
1 Handwheel nut	Cadmium plated steel	AISI 1010
2 Identification disc	Aluminum	ASTM A1100
3 Cross handle	Cast brass	UNS Alloy C85700
4 Packing nut	Forged brass	UNS Alloy C37700
5 Gland follower	Forged brass (Sizes 1-1/2" to 2" only)	UNS Alloy C37700
6 Gland packing	Graphite	LK 33 NAFG
7 Bonnet	Forged brass	UNS Alloy C89550
8 Stem	Forged brass	UNS Alloy C46400
9 Lock nut	Forged brass	UNS Alloy C46400
10 Disc	Forged brass	UNS Alloy C89550
11 Body	Forged brass	UNS Alloy C89550

### DIMENSIONS

Size	A	B	C
1/2"	1.71	2.80	1.48
3/4"	1.81	3.15	1.48
1"	2.13	3.62	1.48
1-1/4"	2.24	4.49	1.50
1-1/2"	2.44	4.92	1.50
2"	2.70	5.73	1.83



**Pictured Model T-408X**  
Cut-away