

**SUBMITTAL SHEET**

JOB NAME	ITEM TAG
JOB LOCATION	PART NUMBER
CONTRACTOR	DATE
ENGINEER APPROVAL	DATE

**EVAPORATIVE COOLER FLOAT VALVE COMPACT PATTERN**

**Model T-34**

Universal evaporative cooler valve  
Compact pattern

**Working Pressure, Non Shock (PSI)**

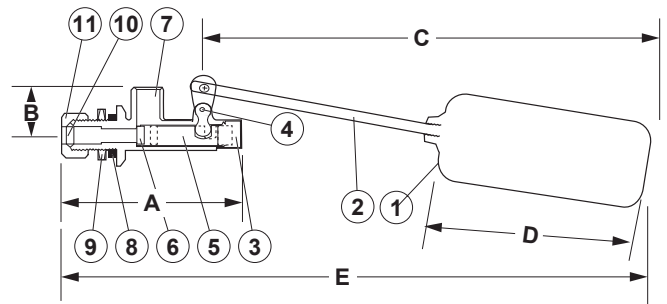
Cold working pressure (CWP):  
Saturated steam (WSP):



*Pictured*  
**Model T-34**

**MATERIAL SPECIFICATION**

PART	MATERIAL	SPECIFICATION
1	Float	Plastic
2	Float arm	Brass
3	Cap	Brass
4	Cotter pin	Brass
5	Plunger	Brass
6	Seat	BUNA-N
7	Body	Bronze
8	Washer	Buna-n
9	Locknut	Brass
10	Ferrule	Brass
11	Compression nut	Brass



*Pictured*  
**Model T-34**  
Cut-away

**DIMENSIONS T-31**

Size	A	B	C	D	E
1/4"	2.83	.75	10.25	4.00	11.00