

SUBMITTAL SHEET

JOB NAME	ITEM TAG
JOB LOCATION	PART NUMBER
CONTRACTOR	DATE
ENGINEER APPROVAL	DATE

BLUE TOP GAS BALL VALVE
T-3000, T-3001 and T-3002



Patented one-piece forged brass body eliminates the possibility of seam leaks common to two-piece body designs*

Ideal for all residential and commercial gas installations

Chrome plated ball and soft seats resist contamination build-up and offer a positive seal in low- or moderate-pressure gas applications

Quarter-turn, ball-type, forged brass design is more compact and superior to traditional cast bronze or cast iron gas cocks

The 175 p.s.i. pressure rating permits high-pressure air tests, without the grease-seal blowout common to plug-type gas cocks

Available in eight different configurations, to accommodate all gas connection types

Working Pressure, Non-Shock (PSI)

Cold working pressure (CWP): 175 psi

Saturated steam (WSP): Not suitable for steam service

- CSA Certified for use with natural, manufactured or mixed liquefied petroleum and LP gas/air mixtures:

- ANSI standard Z21.15 for use as a gas appliance connector valve for 1/2-lb. systems

- CSA Certified 3-88 for use in 2 or 5 lb. house piping systems

- Threaded end connections conform to ANSI/ASME B1.20.1

- Massachusetts Commonwealth approved (Model T-3001)

- Manufactured in an ISO 9002 accredited facility

- UL listed 757X for the sizes 1/2" and 3/4" within the following categories**

- YQNZ.MH19347 Compressed Gas Shutoff Valves

- YRBX.MH19347 Flammable Liquid Shutoff Valves

- YRPV.MH19347 Gas Shutoff Valves

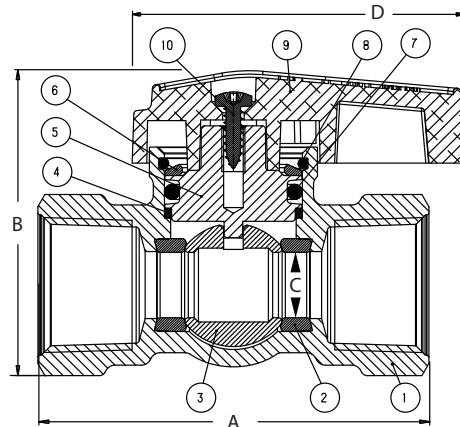
- MHKZ.MH19347 Manual Valves

- VQGU.EX4196 Valves, Trim and Drain

**Reprinted from the Online Certifications Directory with permission from Underwriters Laboratories, Inc. Copyright © 2010 Underwriters Laboratories, Inc. ®

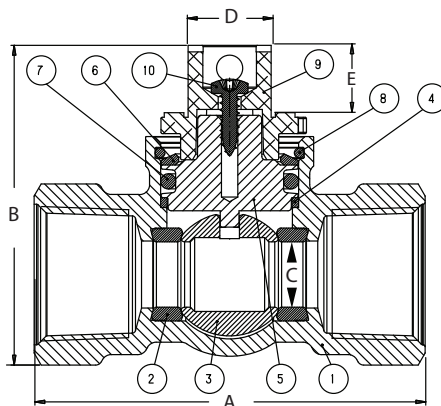


MATERIAL SPECIFICATION		
PART	MATERIAL	SPECIFICATION
1 Body	Forged brass	ASTM B124 UNS C37700
2 Seats (2)	Nitrile (NBR) rubber	Type 7PB496 ASTM D2000
3 Ball	Forged brass, chrome plated	ASTM B124 UNS C37700
4 Thrust washer	Synthetic fiber	Commercial grade
5 Stem	Forged brass	ASTM B124 UNS C37700
6 Stem retainer bushing	Forged brass	ASTM B124 UNS C37700
7 Stem O-ring	Nitrile (NBR) rubber	Type 7PB496 ASTM D2000
8 Stem retainer clip	Phosphor-bronze wire	ASTM B159
9 Handle	Coated aluminum	Commercial grade, die-cast
10 Handle screw	Zinc plated steel	ANSI/ASME B18.2.1 IFI C18

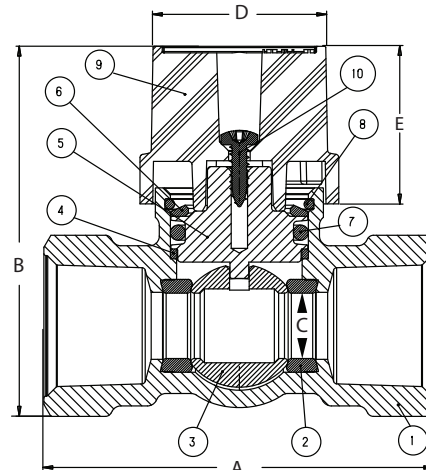


Pictured T-3000
Cut-away

*Note: part number 102-312 3/8" flare x flare is a two-piece body design. A flared connection is not subject to the high assembly torque common to pipe-threaded connections, thereby greatly reducing the chance of body seam seal failure and subsequent leakage.



Pictured T-3002
Cut-away



Pictured T-3001
Cut-away

SUBMITTAL SHEET

JOB NAME ITEM TAG

JOB LOCATION PART NUMBER

CONTRACTOR DATE

ENGINEER APPROVAL DATE

BLUE TOP GAS BALL VALVE T-3000, T-3001 and T-3002 (Continued)

DIMENSIONS					
Size	A	B	C	D	E
3/8" FIP x FIP	2.02	1.75	0.40	2.02	
1/2" FIP x FIP	2.36	1.83	0.40	2.02	
3/4" FIP x FIP	2.60	2.14	0.60	2.09	
3/8" flare x 1/2" FIP	2.35	1.83	0.40	2.02	
1/2" flare x 1/2" FIP	2.46	1.82	0.40	2.02	
1/2" flare x 3/4" FIP	2.52	1.97	0.40	2.02	
5/8" (15/16"-16) flare x 1/2" FIP	2.52	1.78	0.40	2.02	
5/8" (7/8"-14) flare x 3/4" FIP	2.86	2.16	0.60	2.09	
5/8" (15/16"-16) flare x 3/4" FIP	2.82	2.14	0.60	2.09	
3/8" flare x 1/2" MIP	2.41	1.78	0.28	2.02	
1/2" flare x 1/2" MIP	2.53	1.78	0.40	2.02	
3/8" flare x flare	2.71	1.81	0.28	2.02	
1/2" flare x flare	2.62	1.79	0.40	2.02	
5/8" flare x flare	3.14	2.04	0.50	2.09	
1/2" FIP x 1/8" Texas pattern	2.93	1.85	0.40	2.02	
3/4" FIP x 1/8" Texas pattern	2.98	2.02	0.40	2.02	
3/8" (9/16"-24) flare x 1/2" FIP	2.23	1.82	0.40	2.02	
3/8" T-3001	2.02	2.16	0.40	1.03	0.95
1/2" T-3001	2.36	2.21	0.40	1.20	0.95
3/4" T-3001	2.58	2.55	0.60	1.03	0.95
1" T-3001	3.06	2.72	0.84	2.88	0.68
1-1/4" T-3001	3.43	3.09	1.00	2.88	0.68
1-1/2" T-3001	3.68	4.02	1.50	4.03	0.83
2" T-3001	4.32	5.14	1.97	4.95	0.97
1/2" T-3002	2.36	1.93	0.40	0.50	0.43
3/4" T-3002	2.59	2.22	0.60	0.50	0.43

**Pictured
T-3000**



**Pictured
T-3000
Texas pattern**



**Pictured
T-3001**



**Pictured
T-3002**

