

SUBMITTAL SHEET

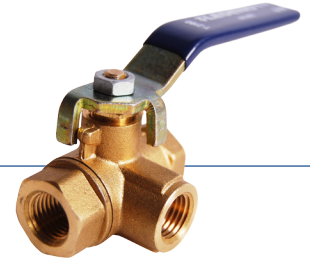
JOB NAME	ITEM TAG
JOB LOCATION	PART NUMBER
CONTRACTOR	DATE
ENGINEER APPROVAL	DATE

FULL PORT 3-WAY BALL VALVE

T-2100

Full port design permits exceptional flow characteristics.
Directional arrow on the handle indicates flow-path.
Ideal for commercial or industrial diverter applications.
L-port design diverts media from the branch connection to either of the run connections.

- Female NPT connections comply with ANSI/ASME B1.20.1
- Manufactured in an ISO 9002 accredited facility.



Pictured:
T-2100

Working Pressure, Non Shock (PSI)

Cold working pressure (CWP): 600
Saturated steam (WSP): 150 psi

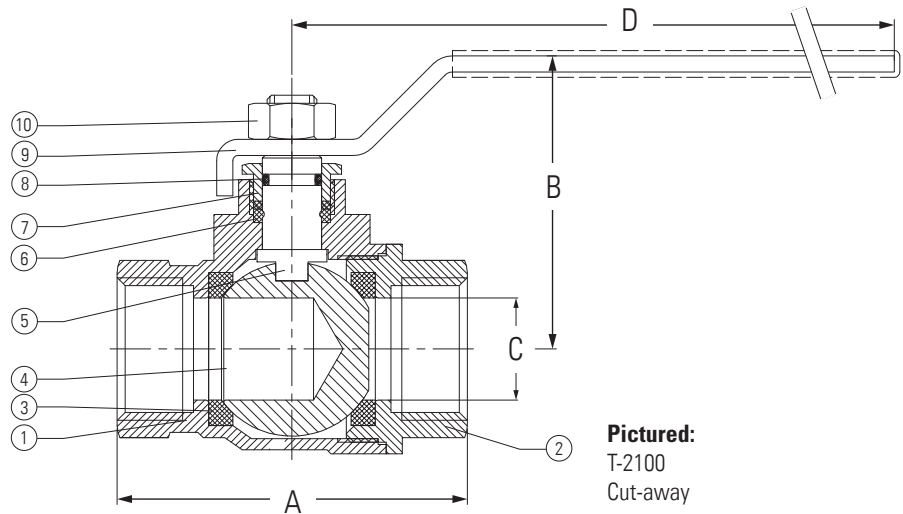
MATERIAL SPECIFICATION

PART	MATERIAL	SPECIFICATION
1 Body	Forged brass	ASTM B124 UNS C37700
2 End adapter	Forged brass	ASTM B124 UNS C37700
3 Seats	PTFE	Teflon*
4 Ball	Chrome plated Forged brass	ASTM B124 UNS C37700
5 Stem	Forged brass	ASTM B124 UNS C37700
6 Stem packing	PTFE	Teflon*
7 Packing nut	Forged brass	ASTM B124 UNS C37700
8 Stem O-ring	NBR	Commercial grade
9 Handle	Chrome plated Carbon steel	ASTM A570, Grade A
10 Handle nut	Chrome plated Carbon steel	ASTM A570, Grade A

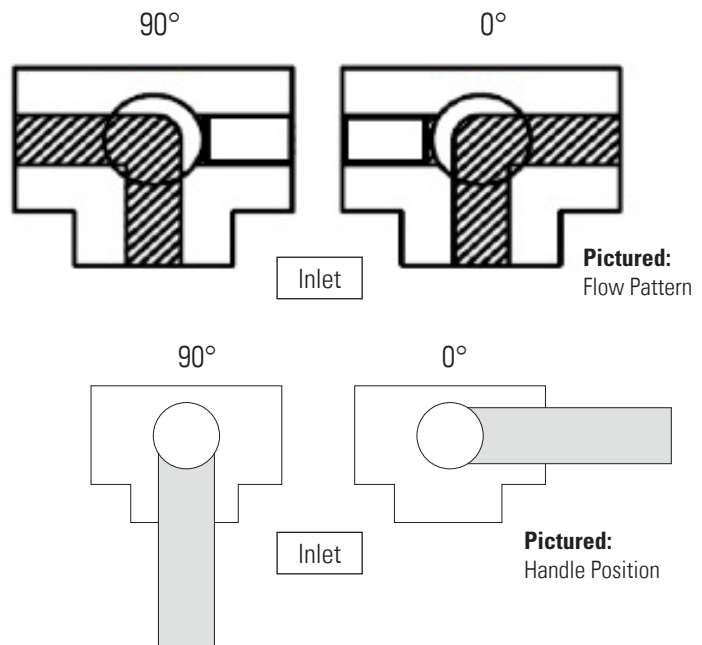
*Teflon is a register trademark of DuPont.

DIMENSIONS

Size	A	B	C	D
1/4"	1.89	1.73	0.39	3.35
3/8"	1.89	1.73	0.39	3.35
1/2"	2.11	1.81	0.50	3.35
3/4"	2.56	2.17	0.75	4.41
1"	3.03	2.33	0.98	4.41
1 1/4"	3.65	2.78	1.20	5.12
1 1/2"	4.08	3.29	1.46	6.34
2"	4.80	4.37	1.95	9.45



Pictured:
T-2100
Cut-away



Pictured:
Flow Pattern

Pictured:
Handle Position