

SUBMITTAL SHEET

JOB NAME

ITEM TAG

JOB LOCATION

PART NUMBER

CONTRACTOR

DATE

ENGINEER APPROVAL

DATE

LEAD-FREE DZR BRASS DROP-EAR PEX BALL VALVE

T-2008NL

Lead-free design is suitable for all no-lead potable water installations, in full compliance of all lead-free plumbing laws.

Integral drop-ear body design permits stable mounting with two screws (not included), eliminating tubing flex during valve operation and the need for separate tubing braces.

Dezincification-resistant (DZR) forged brass resists corrosion from exposure to a wide variety of water conditions.

Durable, forged brass construction is smaller, yet stronger, than cast versions making them ideal for confined tubing installations.

Maintenance-free dual O-ring, blowout-proof stem design eliminates the stem packing nut, thereby eliminating the need for periodic nut tightening.

Available in 1/2", 3/4" and 1" nominal PEX sizes.

- Third-party tested and certified in compliance with U.S. Federal Public Law 111-380 (National lead-free plumbing law).

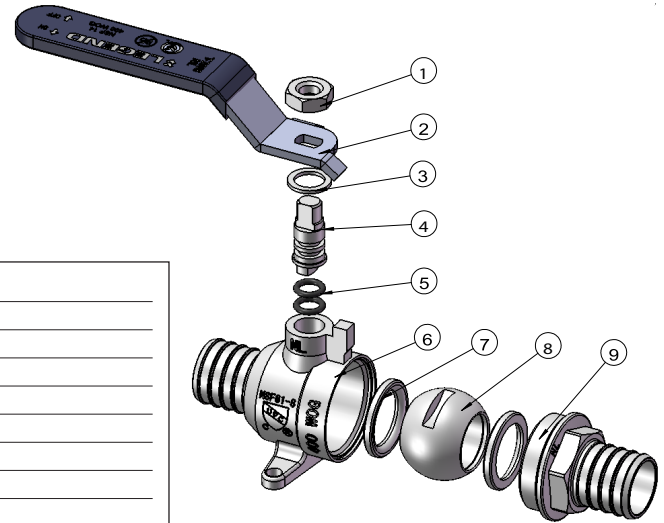
- IAPMO tested and certified in compliance with ANSI / NSF Standard 61-G and ANSI / NSF Standard 14.

- PEX barb end connections comply with ASTM F1807.

- Manufactured in an ISO accredited facility.



Pictured:
T-2008NL



Pictured:
T-2008NL
Exploded view

Working Pressure, Non Shock (PSI)

Cold working pressure (CWP): 400 p.s.i.

CAUTION: Exceeds the pressure rating of PEX tubing.

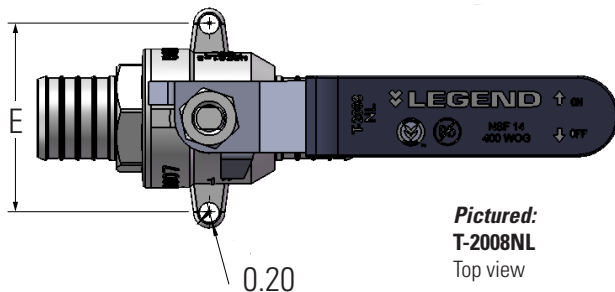
Saturated Steam (WSP): Not suitable for steam applications

MATERIAL SPECIFICATION

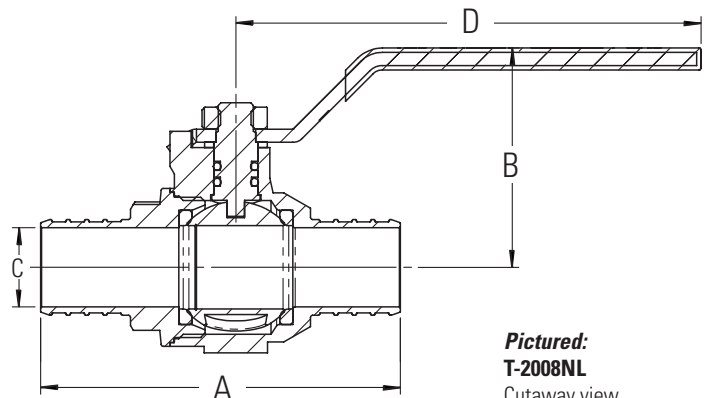
PART	MATERIAL	SPECIFICATION
1 Handle nut	Zinc plated carbon steel	ASTM A 283 Grade C
2 Lever handle	Zinc plated carbon steel	ASTM A 283 Grade C
3 Anti-friction washer	PTFE	FR101 resin
4 Stem	Forged Brass	UNS Alloy C36000
5 Stem O-rings (2)	EPDM rubber	Commercial grade
6 Body	Lead-free forged brass	UNS Alloy C46500
7 Seats (2)	PTFE	FR101 resin
8 Ball	Lead-free chrome plated forged brass	UNS Alloy C46500
9 End Adapter	Lead-free forged brass	UNS Alloy C46500

DIMENSIONS

Size	A	B	C	D	E
1/2"	2.52	1.50	0.35	3.17	1.48
3/4"	2.62	1.57	0.53	3.17	1.65
1"	3.23	1.97	0.71	4.17	1.93



Pictured:
T-2008NL
Top view



Pictured:
T-2008NL
Cutaway view