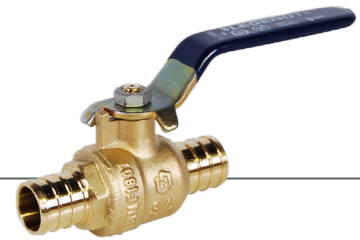


**SUBMITTAL SHEET**

JOB NAME	ITEM TAG
JOB LOCATION	PART NUMBER
CONTRACTOR	DATE
ENGINEER APPROVAL	DATE



**NO LEAD DZR FORGED BRASS BALL VALVE**  
**T-2006NL PEX x PEX (F1807)**



Lead-free design is suitable for all no-lead potable water installations, in full compliance of the National lead-free plumbing law.

Durable, DZR forged brass construction is smaller, yet stronger than cast versions making them ideal for confined tubing installations.

Maintenance-free dual O-ring, blowout-proof stem design eliminates the stem packing nut, thereby eliminating the need for periodic nut tightening.

PTFE seats assure a positive shutoff and a longer in-service life over ball valves with other seat types.

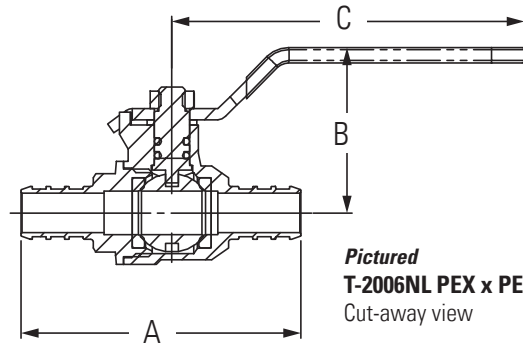
Self-cleaning chrome-plated ball resists mineral build-up and scaling typically found in harsh, varying water conditions

Available in nominal sizes 1/2" through 2".

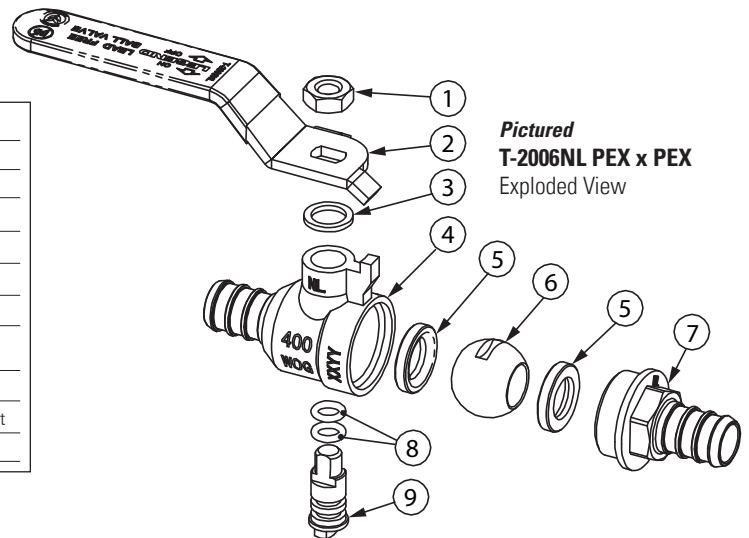
**Working Pressure, Non-Shock (PSI)**

Cold working pressure (CWP): 400\*  
Saturated steam (WSP): Not suitable for steam service.

**\*CAUTION! Exceeds the pressure rating of PEX tubing.**



*Pictured*  
**T-2006NL PEX x PEX**  
Cut-away view



*Pictured*  
**T-2006NL PEX x PEX**  
Exploded View

MATERIAL SPECIFICATION		
PART	MATERIAL	SPECIFICATION
1	Handle nut	Zinc plated steel ASME SA6, SA283 Grade C
2	Lever handle	Zinc plated steel ASME SA6, SA283 Grade C
3	Anti-friction washer	PTFE FR101 Resin
4	Body	DZR Lead-free forged brass UNS Alloy C46500
5	Seats (2)	PTFE FR101 Resin
6	Ball (1/2"-1-1/2" (2"))	Lead-free chrome plated forged brass Stainless Steel UNS Alloy C46500 AISI Grade 304
7	End adapter	DZR Lead-free forged brass UNS Alloy C46500
8	Stem O-rings (2)	EPDM Rubber Commercial grade, NSF compliant
9	Stem	DZR Lead-free forged brass UNS Alloy C46500

DIMENSIONS			
Size	A	B	C
1/2"	2.52	1.49	3.17
3/4"	2.62	1.57	3.17
1"	3.21	1.91	4.15
1-1/4"	3.58	2.16	5.12
1-1/2"	4.11	2.21	5.12
2"	5.32	2.49	5.12

**Certifications/Listing:**

All T-2006NL valves are third-party certified to the following standards:

ANSI/NSF 14: Plastic piping system components and related materials.  
ANSI/NSF 61: Drinking water system components health effects.

**Standards:**

ASTM F1807: Metal insert fitting with crimp ring connection.  
ISO 9002