

## SUBMITTAL SHEET

JOB NAME \_\_\_\_\_ ITEM TAG \_\_\_\_\_

JOB LOCATION \_\_\_\_\_ PART NUMBER \_\_\_\_\_

CONTRACTOR \_\_\_\_\_ DATE \_\_\_\_\_

ENGINEER APPROVAL \_\_\_\_\_ DATE \_\_\_\_\_

# LEAD-FREE PEX END BALL VALVE

## T-2005NL

Lead-free design is suitable for all no-lead potable water installations, in full compliance of all lead-free plumbing laws.

Dezincification-resistant (DZR) forged brass, resists corrosion from exposure to a wide variety of water conditions.

Compact body design is ideal for confined installations.

Maintenance-free dual O-ring, blowout-proof stem design eliminates the stem packing nut.

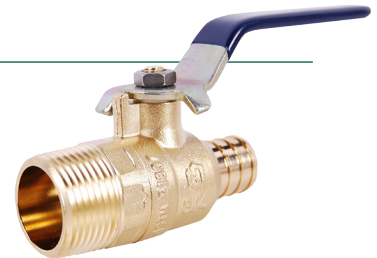
Self-cleaning chrome-plated ball resists mineral build-up and scaling typically found in harsh, varying water conditions.

Available in nominal sizes 1/2" to 1", MNPT x PEX

### Working Pressure, Non Shock (PSI)

Cold working pressure (CWP): 400 p.s.i.  
Saturated Steam: Not suitable for steam service

- Third-party tested and certified in compliance with U.S. Federal Public Law 111-380 (National lead-free plumbing law).
- IAPMO tested and certified in compliance with ANSI / NSF Standards 61-G and 14.
- End connections comply with:
  - ANSI / ASME B1.20.1 (MNPT)
  - ASTM F1807 (PEX Barb)
- Manufactured in an ISO accredited facility.



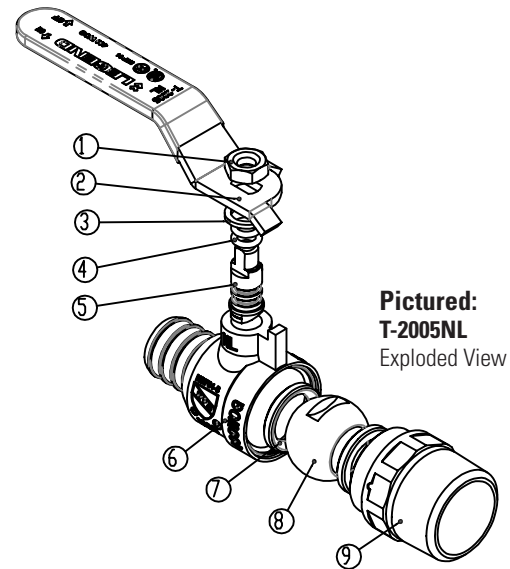
**Pictured:  
T-2005NL**



### MATERIAL SPECIFICATION

PART	MATERIAL	SPECIFICATION
1 Handle nut	Zinc plated carbon steel	ASTM A 283 Grade C
2 Lever Handle	Zinc plated carbon steel	ASTM A 283 Grade C
3 Anti-friction washer	PTFE	Teflon*
4 Stem O-rings (2)	EPDM rubber	Commercial grade
5 Stem	Lead-free DZR forged brass	UNS Alloy C46500
6 Body	Lead-free DZR forged brass	UNS Alloy C46500
7 Seats (2)	PTFE	Teflon*
8 Ball	Lead-free DZR chrome plated forged brass	UNS Alloy C46500
9 End adapter	Lead-free DZR forged brass	UNS Alloy C46500

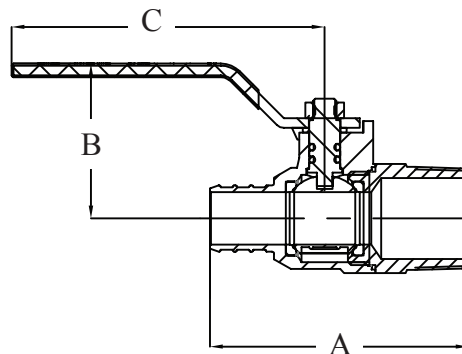
\*Teflon is a registered trademark of DuPont.



**Pictured:  
T-2005NL  
Exploded View**

### DIMENSIONS

Size	A	B	C
1/2"	2.52	1.49	2.95
3/4"	2.62	1.57	3.17
1"	3.23	1.97	4.17



**Pictured:  
T-2005NL  
Cut-away**