

**SUBMITTAL SHEET**

JOB NAME	ITEM TAG
JOB LOCATION	PART NUMBER
CONTRACTOR	DATE
ENGINEER APPROVAL	DATE



**NO LEAD DZR FORGED BRASS PEX BALL VALVE**

**T-1960NL**

Lead-free design is suitable for all no-lead potable water installations, in full compliance of the National lead-free plumbing law.

Dezincification-resistant (DZR) forged brass resists corrosion from exposure to a wide variety of water conditions.

Bottom-loaded, maintenance-free blowout-proof stem features a dual-O-ring design, assuring positive sealing under low and high temperatures and pressures.

Self-cleaning chrome-plated ball resists mineral build-up and scaling.

The drop-ear-drainable configuration, when properly fastened to supports, drastically reduces tubing stress by dispersing the operational twisting force through the valve's body, verses the tubing connections.

MNPT configuration permits simple, convenient transitioning from pipe to PEX tubing.

Sweat end configuration permits a convenient transition from copper to PEX tubing.

Manufactured in an ISO accredited facility.

Available in nominal sizes 1/2" through 3".

**Working Pressure, Non Shock (PSI)**

Cold Working Pressure (CWP): 400 psi\*

**\*Caution!** Exceeds the pressure rating of PEX tubing.

Saturated Steam (WSP): Not suitable for steam applications

MATERIAL SPECIFICATION		
PART	MATERIAL	SPECIFICATION
1 Handle nut	Zinc plated steel	ASME SA6, SA283 Grade C
2 Lever handle	Zinc plated steel	ASME SA6, SA283 Grade C
3 Anti-friction washer	PTFE	FR101 resin
4 Body	DZR lead-free forged brass	UNS Alloy C46500
5 Seats (2)	PTFE	FR101 resin
6 Ball	DZR, chrome-plated, lead-free forged brass or stainless steel	1/2" to 1-1/2": UNS Alloy C46500 2": AISI 304 SS
7 End adapter	DZR lead-free forged brass	UNS Alloy C46500
8 Stem O-rings (2)	EPDM rubber	Commercial grade
9 Stem	DZR lead-free forged brass	1/2" to 1-1/2": UNS Alloy C46500 2": UNS Alloy C36000
10 Waste cap gasket*	NBR rubber	Commercial grade
11 Waste cap*	Brass	ASTM B16 UNS C36000

\*Drop-ear with waste configuration only.

**Certifications/ Listings:**

All T-1960NI valves are third-party certified to the following standards:

ANSI/NSF 14: Plastic piping system components and related materials.

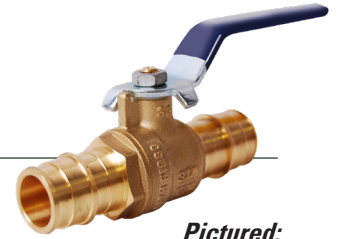
ANSI/NSF 61: Drinking water system components and health effects.

**Standards:**

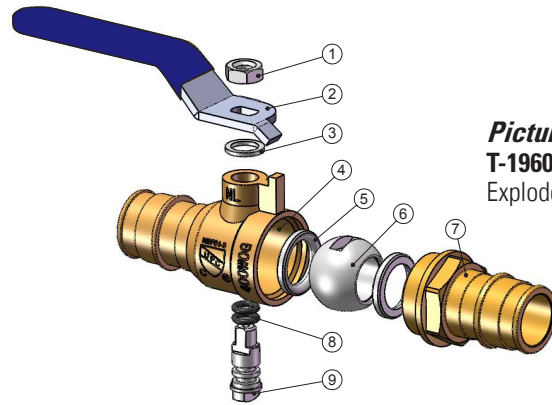
ASTM F1960: Cold expansion fittings with PEX reinforcing rings.

ANSI/ASME B1.20.1: Pipe threads, general purpose (inch).

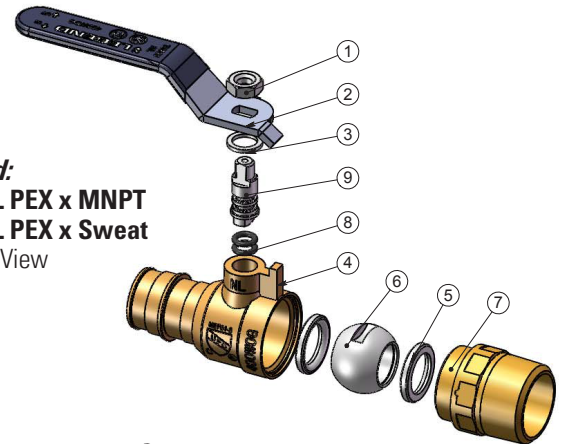
ANSI/ASME B16.18: Cast copper alloy solder joint pressure fittings.



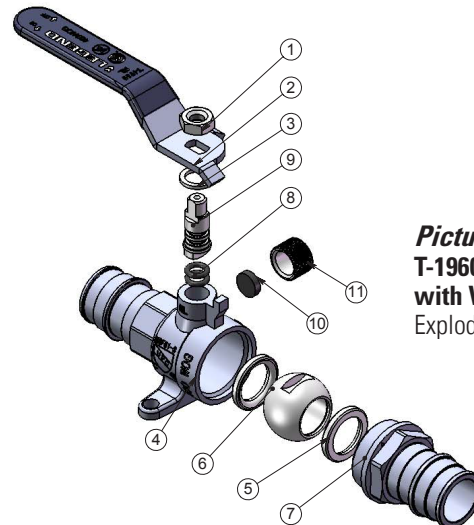
**Pictured: T-1960NL**



**Pictured: T-1960NL PEX x PEX Exploded View**



**Pictured: T-1960NL PEX x MNPT  
T-1960NL PEX x Sweat Exploded View**



**Pictured: T-1960NL Drop-Ear with Waste Exploded View**

## SUBMITTAL SHEET

JOB NAME		ITEM TAG
JOB LOCATION		PART NUMBER
CONTRACTOR	DATE	
ENGINEER APPROVAL	DATE	

### DIMENSIONS

Size	A (PEX x PEX)	A (PEX x MNPT)	A (PEX x Sweat)	A (PEX x PEX drop-ear w/ waste)	B	C	D	E*	F*	G*
1/2"	2.72	2.54	2.11	2.82	1.50	0.39	2.95	0.94	0.21	1.48
3/4"	3.33	2.91	2.76	3.48	1.58	0.53	3.17	1.02	0.21	1.65
1"	4.09	3.60	3.37	4.25	1.97	0.75	4.17	1.17	0.21	1.93
1-1/4"	4.59				2.16	0.91	5.12			
1-1/2"	5.26				2.21	0.98	5.12			
2"	6.58				2.49	1.34	5.12			
2 1/2"	8.76				3.25	1.97	6.34			
3"	10.77				4.25	2.42	9.49			

\*Applicable to the drop-ear configuration only.

