

SUBMITTAL SHEET

JOB NAME	ITEM TAG
JOB LOCATION	PART NUMBER
CONTRACTOR	DATE
ENGINEER APPROVAL	DATE

MODEL S-650

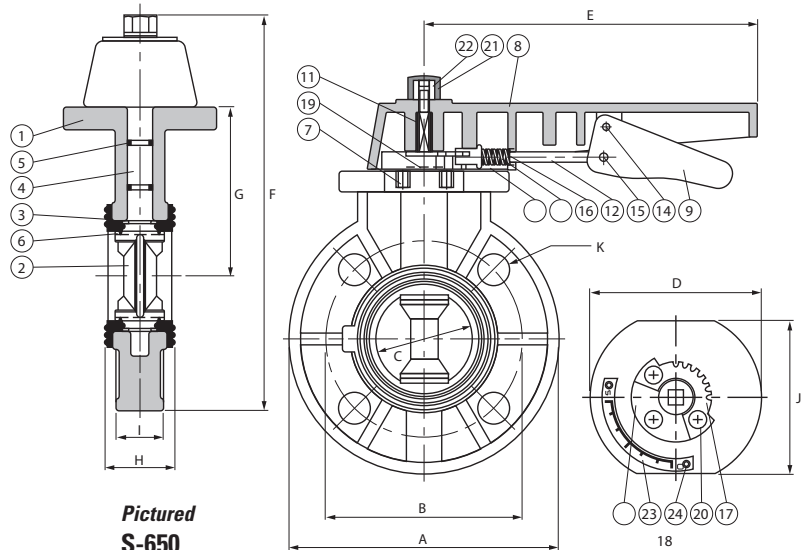
Model S-650

- EPDM Seat, Steel and Stem O-rings
- Lever Operated With Seven- Position Latch
- Full-Pattern Water-Style Body
- Manufactured with 100% Virgin Resin
- 150 WOG @ 73°F
- Pressure tested to 225 psi



MATERIAL SPECIFICATION

PART	MATERIAL	SPECIFICATION
1	Body	UPVC ASTM D1784, Class 12453
2	Disc	Polypropylene
3	Seat	EPDM
4	Stem	410 Stainless steel AISI 410
5	O-ring 1	EPDM
6	O-ring 2	EPDM
7	Inserted nut	410 Stainless steel AISI 410
8	Large handle	ABS Impact Grade
9	Small handle	ABS Impact Grade
10	Spring lock	ABS Impact Grade
11	Handle insert	Stainless steel AISI 304
12	Handle lever	Stainless steel AISI 304
13	Spring	Stainless steel AISI 304
14	Spring pin 1	Stainless steel AISI 304
15	Spring pin 2	Stainless steel AISI 304
16	Washer 1	Stainless steel AISI 304
17	Locking plate	Stainless steel AISI 304
18	Gear seat	Polypropylene
19	Washer 2	304 Stainless steel AISI 304
20	Bolt	304 Stainless steel AISI 304
21	Nut	UPVC ASTM D1784, Class 12454
22	Insert nut	410 Stainless steel AISI 410
23	Scale	304 Stainless steel AISI 304
24	Rivet	Stainless steel AISI 304



Pictured S-650 Cut-away

DIMENSIONS-

Size	A	B	C	D	E	F	G	H	I	J	K
2"	6.50	4.74	2.22	4.13	7.99	9.68	4.05	1.65	1.38	3.66	.75
2-1/2"	7.25	5.49	2.76	4.72	7.99	10.47	4.45	1.81	1.46	3.70	.75
3"	7.87	6.00	3.11	4.84	7.99	10.87	4.53	1.81	1.46	3.70	.75
4"	9.01	7.50	4.05	5.31	10.00	12.52	5.31	2.20	1.85	3.94	.75
6"	11.22	9.51	5.94	6.65	11.97	15.94	6.97	2.79	2.44	3.94	.87
8"	13.50	11.75	7.87	7.87	11.97	18.35	8.27	3.42	2.68	4.72	.91