

SUBMITTAL SHEET

JOB NAME	ITEM TAG
JOB LOCATION	PART NUMBER
CONTRACTOR	DATE
ENGINEER APPROVAL	DATE

PVC COMPRESSION SWING CHECK VALVE

S-614

Full-pattern bodies and compression nuts are constructed of corrosion-proof, virgin PVC resin.

Compression-type end connections are designed to fit onto Schedule 40 or 80 PVC pipe or steel pipe.

Cracking pressure: 1/2 pound positive pressure.

Full-flow waterways are ideal for wastewater, grey water or sewage installations.

1-1/4" - 1-1/2" S-614 includes two sets of compression gaskets permitting installation onto either 1-1/4" or 1-1/2" pipe.

Can be installed in either vertical (upward flow only) or horizontal (flapper hanging) positions.

Weighted flapper assures quick, positive closure in low or high back flow conditions.

Available sizes: 1-1/4" to 2"

Working Pressure, Non Shock (PSI)

Maximum back pressure: 10 feet of head

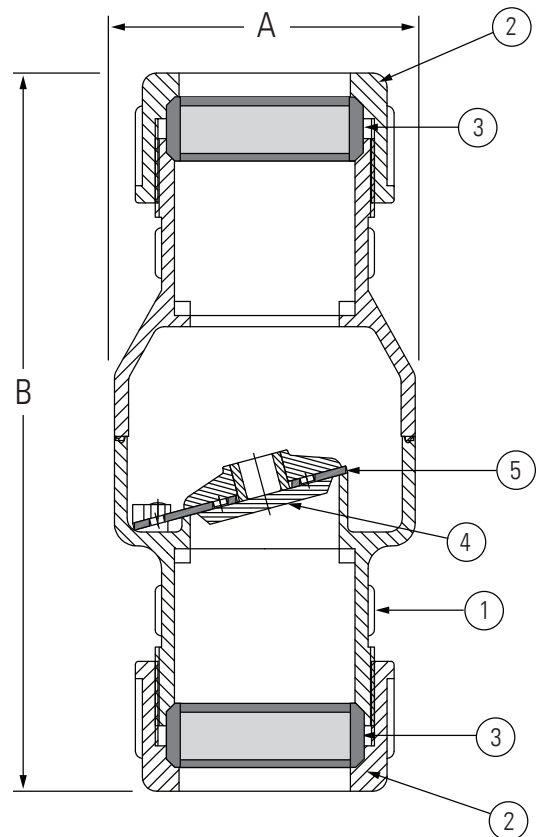
Maximum service temperature: 130° F

MATERIAL SPECIFICATION			
PART	MATERIAL	SPECIFICATION	
1 Body	PVC resin	ASTM D1784	
2 Compression nuts (2)	PVC resin	ASTM D1784	
3 Compression gaskets (2)	EPDM	Commercial grade	
4 Flapper weight	PVC resin	ASTM D1784	
5 Flapper	EPDM	Commercial grade	

DIMENSIONS		
Size	A	B
1-1/4" / 1-1/2"	2.96	5.50
2"	4.20	9.62



Pictured:
2" S-614



Pictured:
2" S-614
Cut-away

Standards:

ASTM D1784: Standard for Rigid PVC compounds.