

SUBMITTAL SHEET

JOB NAME	ITEM TAG
JOB LOCATION	PART NUMBER
CONTRACTOR	DATE
ENGINEER APPROVAL	DATE

MODEL S-601EZ
Two Piece E-Z Turn Model

Working Pressure, Non Shock (PSI)

Cold working pressure (CWP): 150 PSI @73

Pressure rating: 150 W.O.G. @ 73°F

Max. Service temp: 140°F

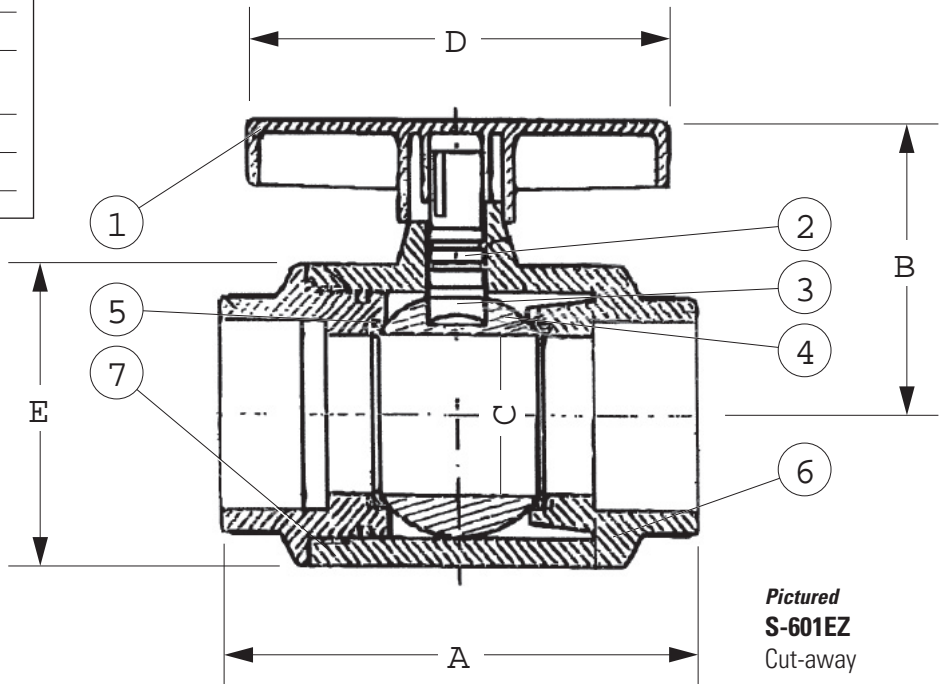


DIMENSIONS

Size	A	B	C	D	E
2 -1/2"	7.87	4.57	2.50	7.09	4.52
3"	8.96	5.06	2.75	8.82	5.30
4"	11.81	6.93	3.90	10.91	7.50

MATERIAL SPECIFICATION

PART	MATERIAL
1 Handle	ABS
2 Stem Packing	EPDM
3 Stem	PVC
4 Ball	PVC
5 Seats	EPDM
6 Body	PVC
7 End Adapter	PVC



*Pictured
S-601EZ
Cut-away*