

SUBMITTAL SHEET

JOB NAME	ITEM TAG
JOB LOCATION	PART NUMBER
CONTRACTOR	DATE
ENGINEER APPROVAL	DATE

PVC BALL VALVE

Model T/S-601

Pressure rating: 150 @ 73°F

Maximum service temperature: 140°F

May be used on schedule 40 or 80 PVC pipe.

Working Pressure, Non Shock (PSI)

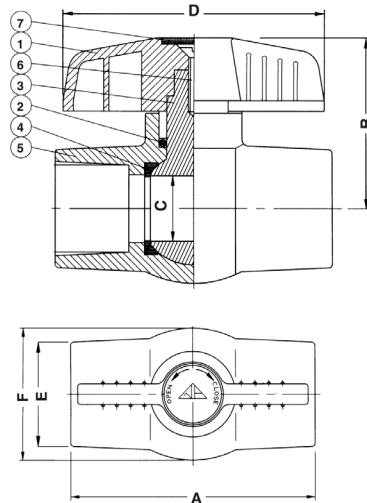
Cold working pressure (CWP):

Saturated steam (WSP):



**Pictured
Model T/S-601**

**Pictured
Model
T/S-601
Cut-away**



DIMENSIONS

Size	A	B	C	D	E	F
1/4"	2.06	1.60	.31	2.00	.79	.98
1/2"	3.25	2.50	.55	3.13	1.18	1.50
3/4"	3.80	3.13	.77	3.50	1.50	1.93
1"	4.19	3.75	.97	4.00	1.77	2.24
1-1/4"	4.25	4.00	1.14	4.00	2.13	2.48
1-1/2"	5.13	4.50	1.42	4.25	2.44	2.95
2"	5.80	5.3	1.83	5.31	3.03	3.62
2-1/2"	8.03	4.13	2.36	7.01	3.62	4.33
3"	9.02	4.88	3.03	8.82	4.17	5.24
4"	11.81	5.83	3.98	10.87	5.31	6.69

MATERIAL SPECIFICATION

PART	MATERIAL	SPECIFICATION
1 Handle	ABS	
2 Stem o-ring	EPDM	
3 Stem & ball	UPVC	
4 Seats	EPDM	
5 Body	PVC	
6 Handle retaining screw	Zinc plated steel	
7 ID disc	ABS	