

SUBMITTAL SHEET

JOB NAME	ITEM TAG
JOB LOCATION	PART NUMBER
CONTRACTOR	DATE
ENGINEER APPROVAL	DATE

FTG. X GHT BOILER DRAIN

Model S-524

125 W.O.G.

Inlet is 1/2" fitting size (male sweat)

Working Pressure, Non Shock (PSI)

Cold working pressure (CWP):

Saturated steam (WSP):

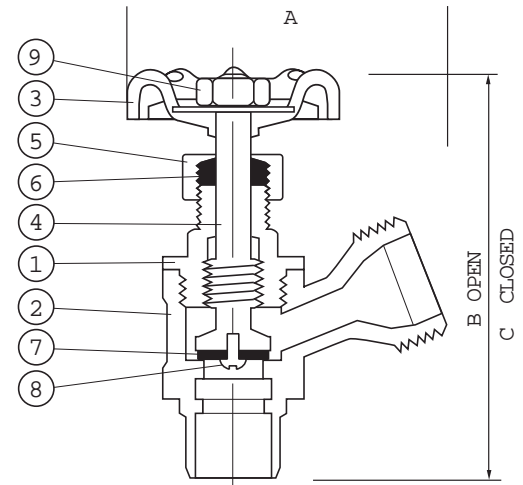
**Pictured
Model S-524**

MATERIAL SPECIFICATION

PART	MATERIAL	SPECIFICATION
1 Bonnet	Brass	
2 Body	Brass	
3 Handle	Cast iron	
4 Stem	Brass	
5 Packing nut	Brass	
6 Packing	Asbestos free graphite	
7 Seat	EPDM	
8 Seat screw	Brass	
9 Handle nut	Brass	

DIMENSIONS

Size	A	B	C
1/2"	2.47	3.60	3.35



**Pictured
Model S-524**
Cut-away