

SUBMITTAL SHEET

JOB NAME	ITEM TAG
JOB LOCATION	PART NUMBER
CONTRACTOR	DATE
ENGINEER APPROVAL	DATE

HOT WATER ANGLE RADIATOR VALVE

Model T-437/S-437

600 P.S.I. W.O.G.

Working Pressure, Non Shock (PSI)

Cold working pressure (CWP):

Saturated steam (WSP):

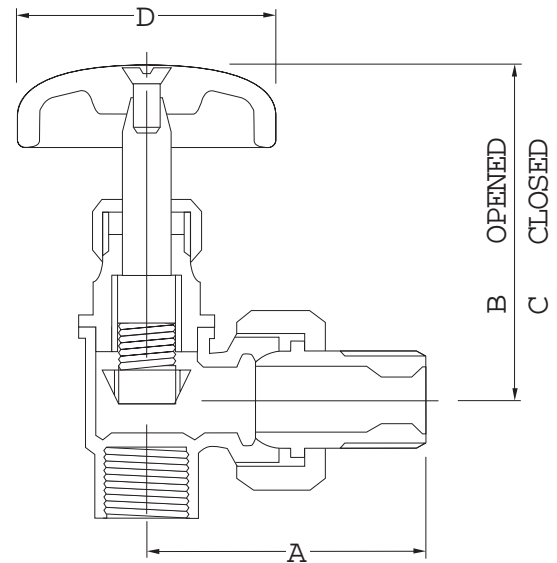


Pictured Model T-437/S-437

MATERIAL SPECIFICATION		
PART	MATERIAL	SPECIFICATION
1	Handle screw	Steel
2	Handle	Phenolic
3	Packing nut	Brass
4	Union nut	Bronze
5	Tailpiece	Bronze
6	Packing	*Teflon
7	Stem	Bronze
8	Bonnet	Bronze
9	Body	Bronze
10	Disc	Bronze and EPDM**

*Teflon is a registered trademark of Dupont

DIMENSIONS					
Size	A	B	C	D	E
1/2"(I.P.S.)	2.14	2.86	2.44	2.30	.875
3/4"(I.P.S.)	2.14	2.97	2.45	2.30	1.09
1/2"(SWT)	2.14	2.88	2.34	2.30	.968
3/4"(SWT)	2.44	2.88	2.36	2.30	1.25



Pictured Model T-437/S-437 Cut-away