

SUBMITTAL SHEET

JOB NAME	ITEM TAG
JOB LOCATION	PART NUMBER
CONTRACTOR	DATE
ENGINEER APPROVAL	DATE

WASHING MACHINE VALVE

Model T-11 / S-11

Maximum temperature 180°F

Working Pressure, Non Shock (PSI)

Cold working pressure (CWP): 150

Saturated steam (WSP):



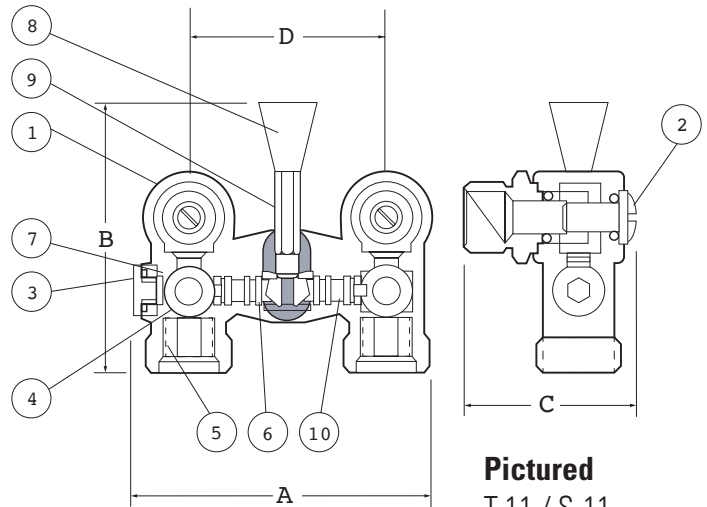
Pictured
T-11



Pictured
S-11

MATERIAL SPECIFICATION		
PART	MATERIAL	SPECIFICATION
1	Body	Cast bronze
2	Set screws	304 Stainless steel
3	Stem plug	Brass rod
4	Ball (2)	Forged brass rod
5	Stem ball retainer plug	Brass
6	O-rings (9)	NBR
7	Ball seat (4)	*Teflon
8	Handle	ABS
9	Handle stem	304 Stainless steel
10	Stem	Brass rod
*Teflon is a registered trademark of Dupont		

DIMENSIONS				
Size	A	B	C	D
T-11	3.75	2.63	2.75	2.35
S-11	3.75	2.63	3.50	2.35



Pictured
T-11 / S-11
Cut-away