

SUBMITTAL SHEET

JOB NAME	ITEM TAG
JOB LOCATION	PART NUMBER
CONTRACTOR	DATE
ENGINEER APPROVAL	DATE

FULL PORT BALL VALVE

T/S-1001

Durable forged brass body.

Bottom-loaded blowout-proof stem.

Maintenance-free dual O-ring stem seal.

Improved Dyneon* TFM PTFE seats.

Available in female pipe threaded sizes 1/8" - 4" and female sweat tubing sizes 1/2" - 4".

Working Pressure, Non Shock (PSI)

Cold working pressure (CWP): 1/8" - 2" 600 p.s.i.
2-1/2" - 4" 400 p.s.i.

Saturated steam (WSP): All sizes: 150 p.s.i.



Pictured Model T-1001

- Conforms to MSS SP-110.
- End connections comply with:
ANSI / ASME B1.20.1 (FNPT)
ANSI / ASME B16.18 (CTS Sweat)
- Manufactured in an ISO accredited facility.
- CSA Certified for use with natural, manufactured, mixed, liquid petroleum and LP gas/air mixtures:
 - ANSI Standard Z21.15 for use as a gas appliance connector valve for 1/2-lb. systems (1/2" - 3").
 - CSA Certified 3-88 for use in 2 or 5 lb house piping systems (1/4" & 1/2" - 2").
 - ANSI / ASME B16.33 for use in gas piping systems up to 125 psig (1/2" - 1").
- UL listed 44R8 for LP, natural and manufactured gases; flammable liquids, #6 oil at 250°F (1/4" - 2").
- UL listed 757X for fire protection service (1/2" - 2").
- Factory mutual approved for fire protection service (1/2" - 2").

MATERIAL SPECIFICATION

PART	MATERIAL	SPECIFICATION
1 Handle nut	Dacromet coated steel	ASTM A510 UNS G10060
2 Handle	Dacromet coated steel	ASTM A510 UNS G10060
3 Anti-friction washer	TFM PTFE	Dyneon™
4 O-rings	Fluorocarbon	Viton**
5 Thrust washer	TFM PTFE	Dyneon™
6 Stem	Chrome plated forged brass	ASTM B124/124M UNS C37700
7 Ball	Chrome plated forged brass	ASTM B124/124M UNS C37700
8 Seats	TFM PTFE	Dyneon™
9 Body	Forged brass	ASTM B124/124M UNS C37700
10 End adapter	Forged brass	ASTM B124/124M UNS C37700

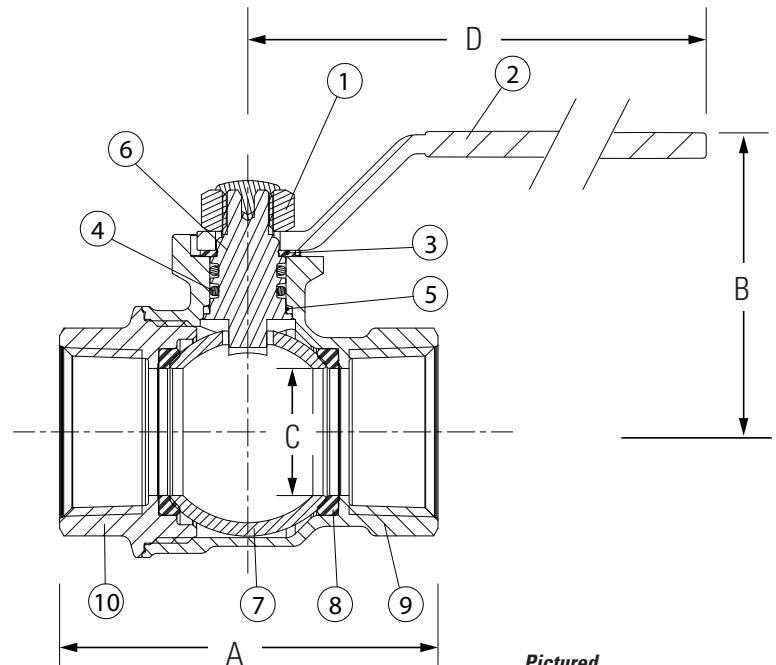
*Dyneon TFM is a registered trademark of 3M company.

**Viton is a registered trademark of DuPont Company.

DIMENSIONS

Size	A (IPS)	A (CXC)	B	C	D	CV**
1/8"	1.54	-	1.02	0.31	1.66	5.00
1/4"	1.62	-	1.02	0.31	1.66	7.62
3/8"	1.77	-	1.28	0.39	3.01	7.74
1/2"	2.08	2.32	1.46	0.59	3.01	14.68
3/4"	2.36	3.15	1.89	0.79	3.70	28.43
1"	2.91	3.82	2.05	1.00	3.70	56.04
1-1/4"	3.30	4.31	2.24	1.26	3.70	113.24
1-1/2"	3.74	5.00	2.75	1.57	5.33	161.77
2"	4.25	6.10	3.07	1.97	5.33	161.77
2-1/2"	5.75	7.00	4.01	2.28	6.81	277.32
3"	6.30	8.03	4.33	2.68	6.81	310.83
4"	8.15	7.19	5.12	3.50	7.32	532.68

**The CV Factor is the gallons of water per minute passed through the valve with a 1 PSI pressure drop.



Pictured Model T-1001
Cut-away view