

SUBMITTAL SHEET

JOB NAME		ITEM TAG
JOB LOCATION		PART NUMBER
CONTRACTOR	DATE	
ENGINEER APPROVAL	DATE	

PUSH-TO-CONNECT TUBING FITTINGS

Mini-Loc Fittings

A secure, easy-to-install fitting, ideal for making permanent connections on plumbing distribution and commercial systems.

Their durable resin construction and O-ring seals, absorb tubing line stresses and temperature variations, yet can still be removed and re-used.

Simple push-to-connect installation eliminates the need for sweating, gluing or crimping, substantially lowering installation time and labor costs.

Grip collar feature allows tubing removal without the need for a separate, often mis-placed, removal tool.

Available in a variety of configurations, in nominal tubing sizes 1/4", 5/16" and 3/8"

Working Pressure, Non Shock (PSI)

Cold working pressure (CWP):

1/4" and 5/16" fittings: 230 p.s.i. at 34° to 68° F, 150 p.s.i. at 150° F

3/8" fittings: 170 p.s.i. at 34° to 68° F, 100 p.s.i. at 150° F

Saturated steam (WSP): Not suitable for steam service

- Manufactured in compliance with the following Standards:

ANSI / ASSE Standard 1061:

Performance requirements for push-fit fittings.

ANSI / NSF 14: Plastic piping system components and related materials.

ASME A112.18.1 and CSA B125.1 (harmonized): Plumbing supply fittings.

ASTM F877: Standard specification for crosslinked polyethylene (PEX) hot- and cold-water distribution systems.

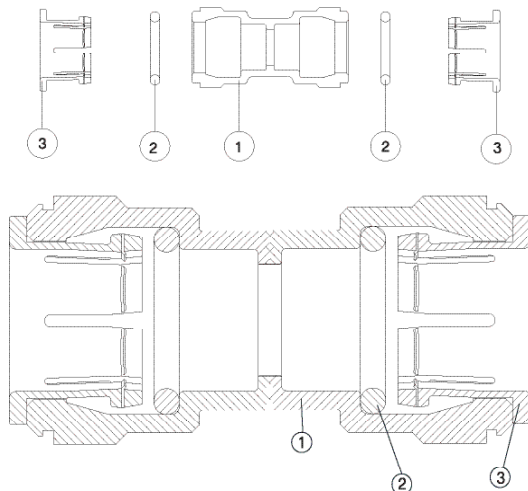
ANSI / ASME B1.20.1: Pipe threads, general purpose (inch).

- Third-party certified by IAPMO to California, Vermont and Maryland Lead-free plumbing laws
- ANSI / NSF 61-8 and 61-9 Certified
- Comply with the requirements of the Uniform Plumbing Code
- Manufactured in an ISO accredited facility



MATERIAL SPECIFICATION

PART	MATERIAL	SPECIFICATION
1 Body	Acetal copolymer resin	Keptal F20-03
2 O-Ring	NBR rubber	Commercial grade
3 Grip collar	Acetal copolymer resin and stainless steel	Keptal F20-03 and AISI Grade 304



Pictured Mini-Loc Coupling
Cutaway view