

SUBMITTAL SHEET

JOB NAME	ITEM TAG
JOB LOCATION	PART NUMBER
CONTRACTOR	DATE
ENGINEER APPROVAL	DATE

ECONOMY STAINLESS STEEL MANIFOLD

M-8300E

Designed for use in place of field built copper headers.

EPDM o-ring seals at all connections

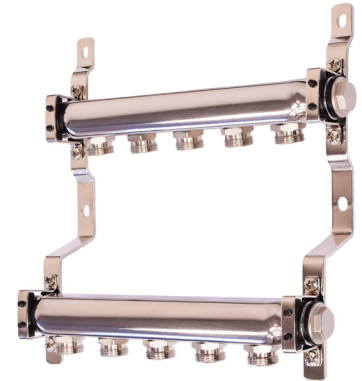
Packaged with mounting brackets, end plugs & MNPT header adapter.

Can be used with most of the stainless steel manifold accessories.

Specifications:

Max Working Pressure, Non-Shock:	125 psi
Max Working Temperature:	230° F
Max Flow:	16 gpm Per Manifold

- Manifold Connection: 1" MNPT Male Threads with the provided header adapters.



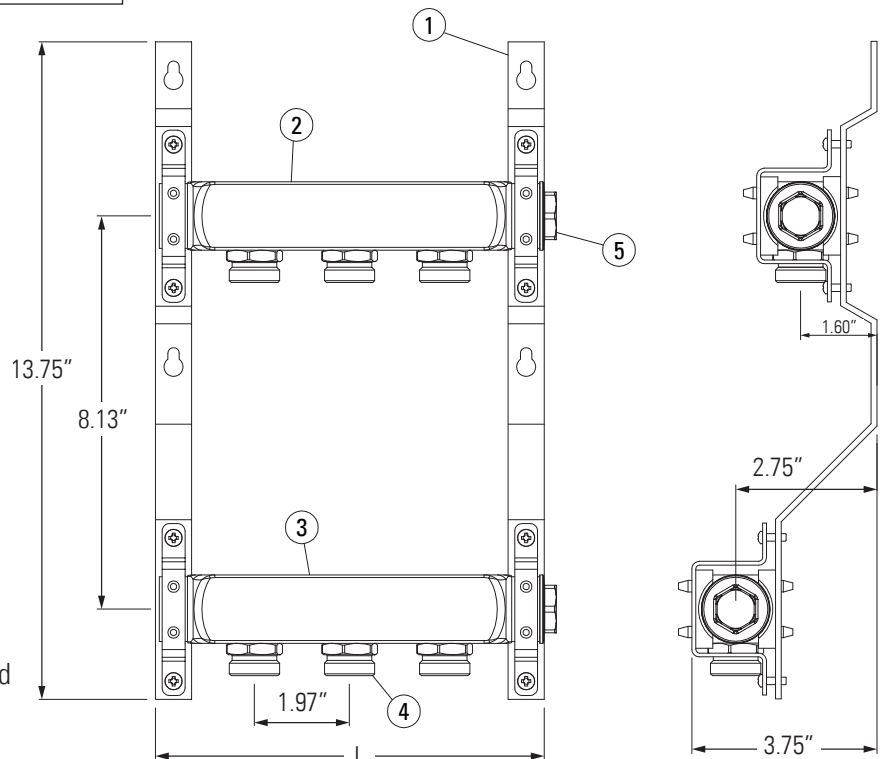
Pictured:
M-8330E

MATERIAL SPECIFICATION

PART	MATERIAL	QTY
1 Mounting Bracket	Galvanized Steel	2
2 Supply Manifold	304 Stainless Steel	1
3 Return Manifold	304 Stainless Steel	1
4 Tubing Port Connection	Forged Brass Nickel Plated UNS37700	4 to 24
5 End Plug	Forged Brass Nickel Plated UNS37700	2

DIMENSIONS

No. of Circuits	L (in.)
2	6.04"
3	8.00"
4	9.97"
5	11.93"
6	13.90"
7	15.86"
8	17.83"
9	19.79"
10	21.76"
11	23.72"
12	25.69"



Pictured:
M-8300E Economy Manifold
3-Circuit Manifold