

## SUBMITTAL SHEET

JOB NAME	ITEM TAG
JOB LOCATION	PART NUMBER
CONTRACTOR	DATE
ENGINEER APPROVAL	DATE

## STAINLESS STEEL MANIFOLD SERIES

### M-8330 Stainless Basic

EPDM o-ring seals at all connections.

Built-in visual flow meter for quick circuit performance verification.

Optional 4-Wire Circuit Actuators.

**Manifold connection:** 1" NPT female on manifold isolation ball valves.

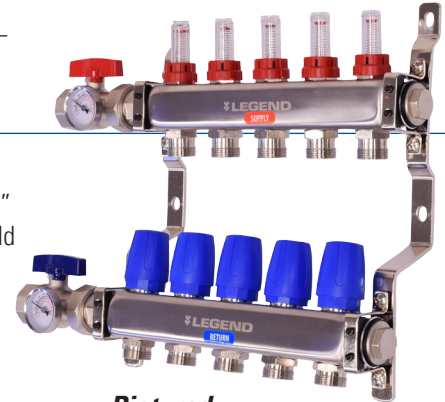
#### Specifications:

Max Working Pressure, Non-Shock: 125 p.s.i

Max Working Temperature: 230° F

Max Flow, 1" Manifold: 2 gpm per circuit up to 16 gpm

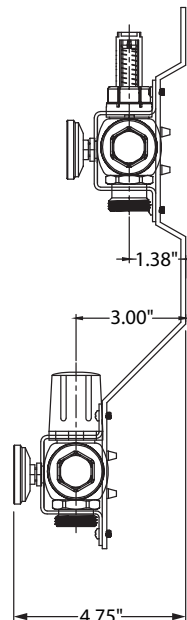
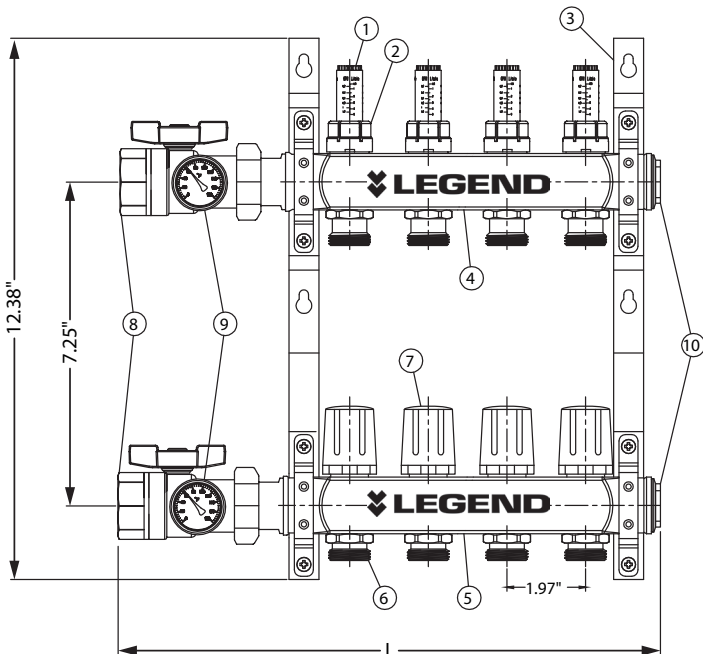
- Manifold connection: 1" NPT female, on manifold isolation ball valve.



**Pictured:**  
M-8330 Stainless Basic

#### MATERIAL SPECIFICATION

PART	MATERIAL	QTY
1 Flow Meter / Balance Valve	High-Temperature Polymer	2 to 12
2 Lock Shield	Plastic	2 to 12
3 Mounting Bracket	Galvanized Steel	2
4 Supply Manifold	304 Stainless Steel	1
5 Return Manifold	304 Stainless Steel	1
6 Tubing Port Connection	Nickel Plated Forged Brass UNS C37700	4 to 24
7 Flow Valve	High-Temperature Polymer	2 to 12
8 Manifold Isolation Ball Valve	Nickel Plated Forged Brass UNS C37700	2
9 Thermometer	Aluminum Case / Glass Face	2
10 End Plug	Nickel Plated Forged Brass UNS C37700	2



#### DIMENSIONS

No. of Circuits	L (in.)
2	9.22
3	11.19
4	13.16
5	15.25
6	17.09
7	19.06
8	21.03
9	23.00
10	24.97
11	26.94
12	28.91

**Pictured:**  
M-8330 Stainless Basic  
4 -Circuit Manifold