

SUBMITTAL SHEET

JOB NAME	ITEM TAG
JOB LOCATION	PART NUMBER
CONTRACTOR	DATE
ENGINEER APPROVAL	DATE



LEAD-FREE COPPER STUBOUT

F1807 Copper Stubout

These stubouts are intended for use in cold- and hot-water distribution (potable) systems.

Barbed end connections are designed for insertion into PEX & PE-RT tubing that conforms to ASTM F876 & F877 (PEX) or F2769 (PE-RT).

Designed for use with copper crimp rings manufactured in compliance with ASTM F1807 and stainless steel clamp rings manufactured in compliance with ASTM F2098.

Available with a nailing flange for mounting to a wall stud for support.

1/2" nominal PEX x Type L Copper Tube.

Working Pressure, Non Shock (PSI)

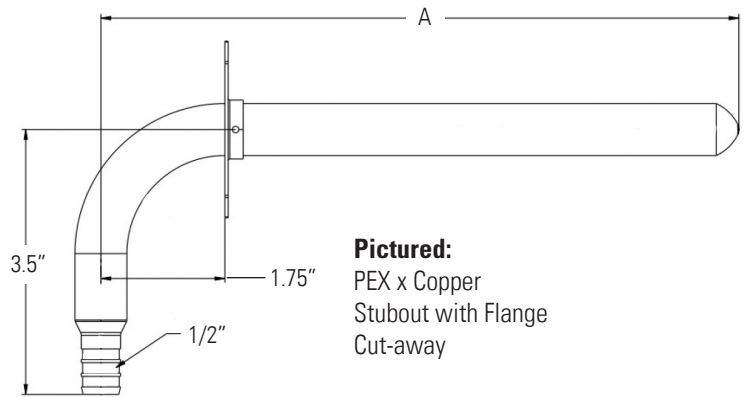
Working Pressure, Non Shock (PSI): 125 psi @ 180°F

MATERIAL SPECIFICATION		
PART	MATERIAL	SPECIFICATION
1	All configurations	Wrought copper alloy
		ASTM B75 C12200

DIMENSIONS	
Size	A
Bare Stub out	
6" Closed	6"
8" Closed	8"
Stub out w/ Flange	
6" Closed	6"
8" Closed	8"



Pictured:
PEX x Copper
Stubout



Pictured:
PEX x Copper
Stubout with Flange
Cut-away

Certifications/Listings:

Third-party certified.

ANSI/NSF 14: Plastic Piping System Components and Related Materials.

NSF/ANSI 61: Drinking water system components - Health effects.

NSF/ANSI 372: Drinking water system components - Lead content

CSA C137.5: Thermoplastic Pressure Piping Compendium

Standards:

ASTM F1807: Metal insert fitting with crimp ring connection.

ASTM F2098: Metal or plastic insert fitting with a stainless steel clamp.