

SUBMITTAL SHEET

JOB NAME _____ ITEM TAG _____

JOB LOCATION _____ PART NUMBER _____

CONTRACTOR _____ DATE _____

ENGINEER APPROVAL _____ DATE _____

LEAD-FREE CAST PRESSURE FITTINGS

CPVC x FNPT Three-Hole Drop-Ear Elbow

Lead-free design is suitable for all no-lead potable water installations, in full compliance of all lead-free plumbing laws.

Drop-ear holes accept most screw fastener types, permitting easy attachment to cross-brackets.

Flat-back, triangulated drop-ear configuration places more of the elbow's surface against the bracket, enhancing stability when installing the shower arm.

Full-length drop-ears extend beyond the elbow's body, providing ample tool access when driving screws.

FNPT outlet is precision-cut to accommodate plated shower arms.

Available in nominal sizes 1/2" and 3/4" tubing x FNPT configurations.

- Third-party certified by UPC / IAPMO, in compliance with U.S. Federal Public Law 111-380 (National lead-free plumbing law).
- NSF / ANSI Standards 61 and 14 compliant
- End connections conform to ANSI / ASME B1.20.1 (FNPT) and ASTM D2846 (CPVC socket)
- Manufactured in an ISO accredited facility.

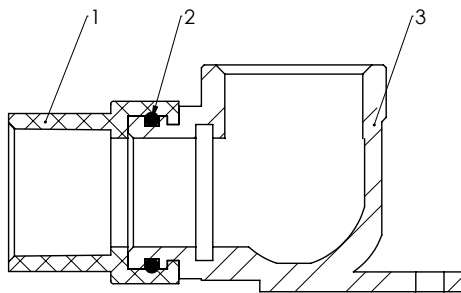


Working Pressure, Non Shock (PSI)

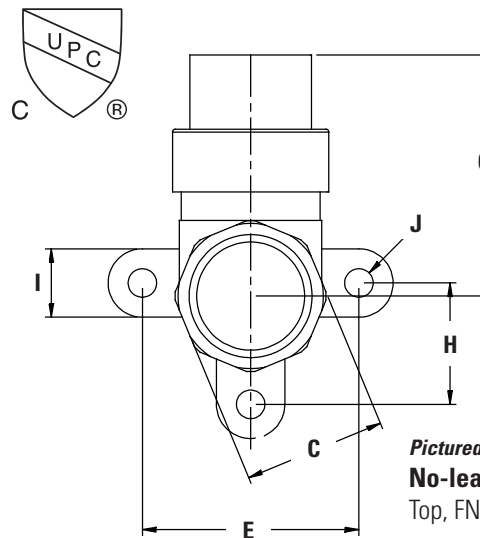
Cold working pressure (CWP): 125 psi
Saturated steam (WSP): Not suitable for steam service.
Maximum service temperature: 180°F

MATERIAL SPECIFICATION

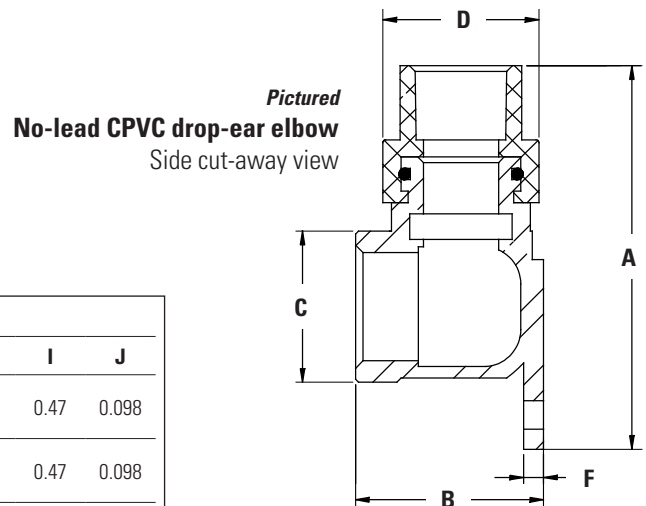
PART	MATERIAL	SPECIFICATION
1 Adapter	Virgin CPVC resin	ASTM D1784, CPVC 41
2 O-ring	Buna-N (NBR) rubber	Commercial-grade
3 Body	Lead-free cast brass	UNS Alloy C46400



Pictured
No-lead CPVC drop-ear elbow
Side cut-away view - material reference



Pictured
No-lead CPVC drop-ear elbow
Top, FNPT and drop ear view



Pictured
No-lead CPVC drop-ear elbow
Side cut-away view

DIMENSIONS

Size	A	B	C	D	E	F	G	H	I	J
1/2" CPVC socket x FNPT	2.65	1.30	1.04	1.08	1.50	0.14	1.67	0.84	0.47	0.098
3/4" CPVC socket x FNPT	3.12	1.58	1.28	1.27	1.89	0.14	1.98	0.95	0.47	0.098