

SUBMITTAL SHEET

JOB NAME	ITEM TAG
JOB LOCATION	PART NUMBER
CONTRACTOR	DATE
ENGINEER APPROVAL	DATE

BRASS SILLCOCKS

T-514P F1807 & T-514P F1960

Full-pattern forged brass body is more durable than competitors' cast reduced-material examples.

Diamond-shaped sill flange offers enhanced coverage of the sill hole and extended spacing between the fastener holes, for better tool access when attaching to the sill. An improvement over round sill flange types.

*3/4" GHT outlets accept 3/4" hose-thread-mounted vacuum breakers, including our models T-553, T-553C, T-554, T-557, and T-557C.

Available in nominal 1/2" and 3/4" PEX (F1807 or F1960) inlet x 3/4" MGHT hose thread outlet sizes.

*Vacuum breaker not included, but typically required in most municipalities.

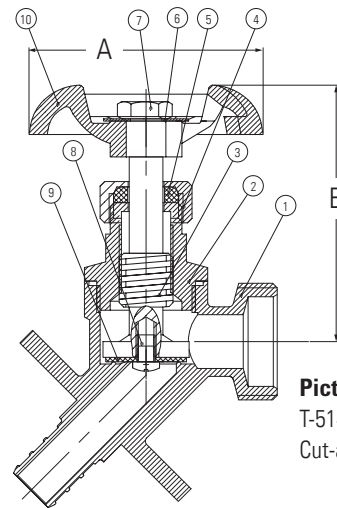
Working Pressure, Non Shock (PSI)

Cold working pressure (CWP): 125 psi
Saturated steam (WSP): Not suitable for steam service

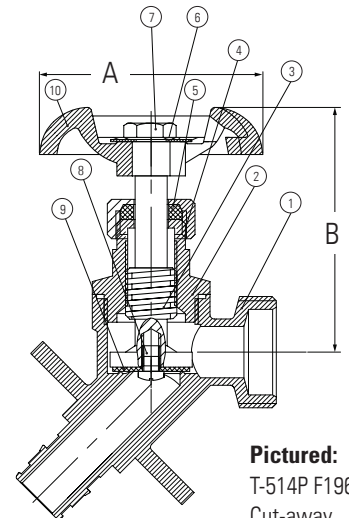


Pictured:
T-514P F1807

Pictured:
T-514P F1960



Pictured:
T-514P F1807
Cut-away



Pictured:
T-514P F1960
Cut-away

DIMENSIONS

Nominal Size	A	B (closed)	C	D	E
1/2" PEX (ASTM F1807) x 3/4" MGHT	2.09	2.25	2.36	2.09	2.91
3/4" PEX (ASTM F1807) x 3/4" MGHT	2.09	2.25	2.36	2.09	2.91
1/2" CE PEX (ASTM F1960) x 3/4" MGHT	2.09	2.25	2.36	2.09	2.91
3/4" CE PEX (ASTM F1960) x 3/4" MGHT	2.09	2.25	2.36	2.09	2.91

MATERIAL SPECIFICATION

PART	MATERIAL	SPECIFICATION
1 Body	Forged brass	ASTM B124 UNS Alloy C37700
2 Bonnet	Forged brass	ASTM B124 UNS Alloy C37700
3 Stem	Forged brass	ASTM B124 UNS Alloy C37700
4 Packing nut	Forged brass	ASTM B124 UNS C37700
5 Stem packing	PTFE	Commercial grade Teflon*
6 Identification disc	Aluminum	ASTM B209-1100
7 Handle nut	Stainless steel	AISI grade 304
8 Seat retaining screw	Forged brass	ASTM B124 UNS Alloy C37700
9 Seat washer	EPDM elastomer	Commercial grade
10 Handle	Cast iron	ASTM A48 Class 35

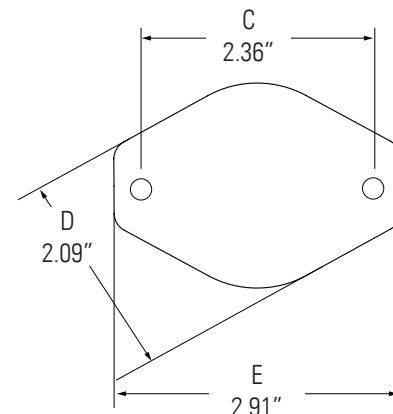
*PTFE Teflon is a registered trademark of the Dow/DuPont Company.

Certifications/Listing:

Third-party certified.
ASME A112.18.1/CSA B125.1: Plumbing Supply Fittings-Lawn and Sediment Faucet.

Standards:

ASTM F1807: Metal Insert Fittings utilizing a Copper Crimp-Ring for SDR9 cross-linked Polyethylene (PEX) Tubing and SDR9 Polyethylene of Raised Temperature (PE-RT) Tubing.
ASTM F1960: Cold Expansion Fittings with PEX Reinforcing Rings for use with Cross-linked Polyethylene (PEX) Tubing.
ANSI/ASME B1.20.7: Hose Coupling Screw Threads, Inch.



Pictured:
Sill flange view