

SUBMITTAL SHEET

JOB NAME	ITEM TAG
JOB LOCATION	PART NUMBER
CONTRACTOR	DATE
ENGINEER APPROVAL	DATE



LEAD-FREE DZR FORGED BRASS PRESS x 1960 PEX BALL VALVE

P-1960NL

Dezincification-resistant (DZR) forged brass resists corrosion from exposure to a wide variety of water conditions.

Bottom-loaded, blowout-proof stem features a dual-seal PTFE packing and stem seat design, assuring positive sealing under a multitude of conditions.

Barbed end is designed for use with Pex (ASTM F876 & 877) and PE-RT (ASTM F 2769) with cold expansion rings that are manufactured in compliance with ASTM F 1960.

Press-to-connect end connection is designed for installation onto ASTM B88 types K, L and M hard-drawn copper tubing.

Press-to-connect end compatible with commercially-available VUS profile jaws.

Available in 1/2" through 2" sizes.

Working Pressure, Non Shock (PSI)

Cold working pressure (CWP): 250 psi
Saturated steam (WSP): Not suitable for steam service

Caution! Exceeds the pressure rating of PEX & PE-RT tubing.

MATERIAL SPECIFICATION

PART	MATERIAL	SPECIFICATION
1	Handle nut	Zinc plated steel Commercial grade
2	Handle	Zinc plated steel Commercial grade
3	Packing nut	Forged brass UNS Alloy C36000
4	Packing	PTFE Commercial grade
5	Body	DZR lead-free forged brass UNS Alloy C46500
6	Ball	DZR lead-free forged brass 1/2" to 1": UNS Alloy C46500 or stainless steel 1-1/4" to 2": AISI 304 SS
7	Seat	PTFE Commercial grade
8	End adapter	DZR lead-free forged brass UNS Alloy C46500
9	Stem	Forged brass 1/2" to 1": UNS Alloy C46500 1-1/4" to 2": UNS Alloy C36000
10	Stem seat	PTFE Commercial grade
11	O-ring	EPDM Commercial grade

DIMENSIONS

SIZE	A	B	C	D	Press Insertion
1/2"	3.18	1.66	0.38	3.82	1-1/8"
3/4"	3.69	1.92	0.60	3.82	1-3/16"
1"	4.19	2.30	0.81	4.41	1-3/16"
1-1/4"	4.99	2.73	0.98	5.20	1-3/16"
1-1/2"	5.72	2.93	1.11	5.20	1-3/8"
2"	6.91	3.54	1.57	6.44	1-9/16"

Certifications/Listings:

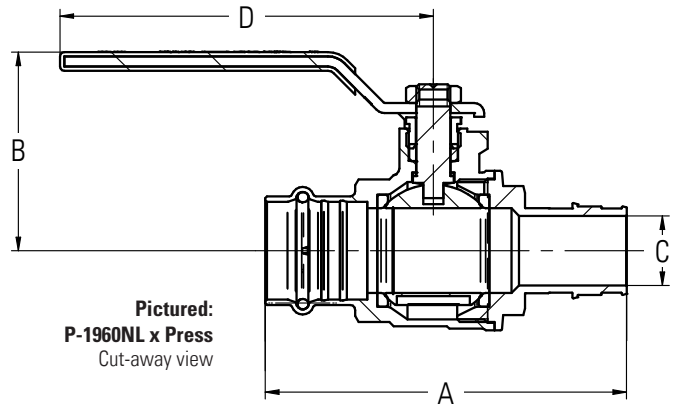
Third-Party certified.
NSF/ANSI 14: Plastic piping system components and related materials.
ANSI/NSF 61: Drinking water system components health effects.
ASTM F1960: Cold expansion fittings with PEX reinforcing rings.

Standards:

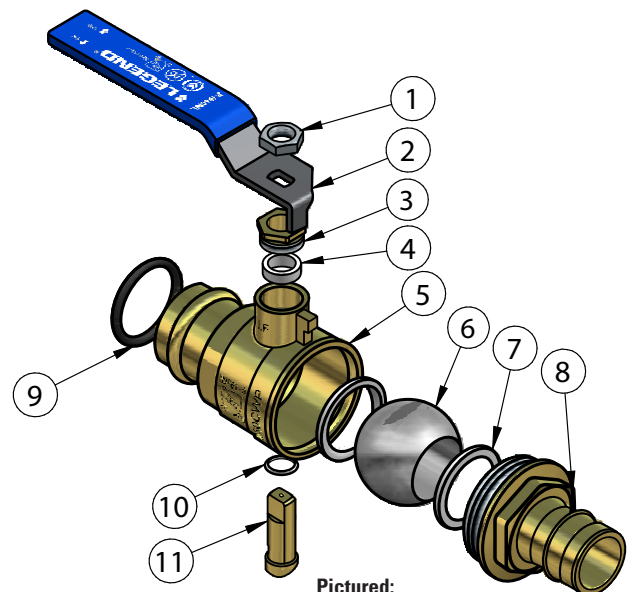
ANSI/ASME B16.51: Copper and copper alloy press-connect pressure fittings.



Pictured:
P-1960NL x Press



Pictured:
P-1960NL x Press
Cut-away view



Pictured:
P-1960NL x Press
Exploded view