

SUBMITTAL SHEET

JOB NAME		ITEM TAG
JOB LOCATION		PART NUMBER
CONTRACTOR	DATE	
ENGINEER APPROVAL	DATE	

AUTO-FILL WITH BACKFLOW PREVENTER¹

AF-480

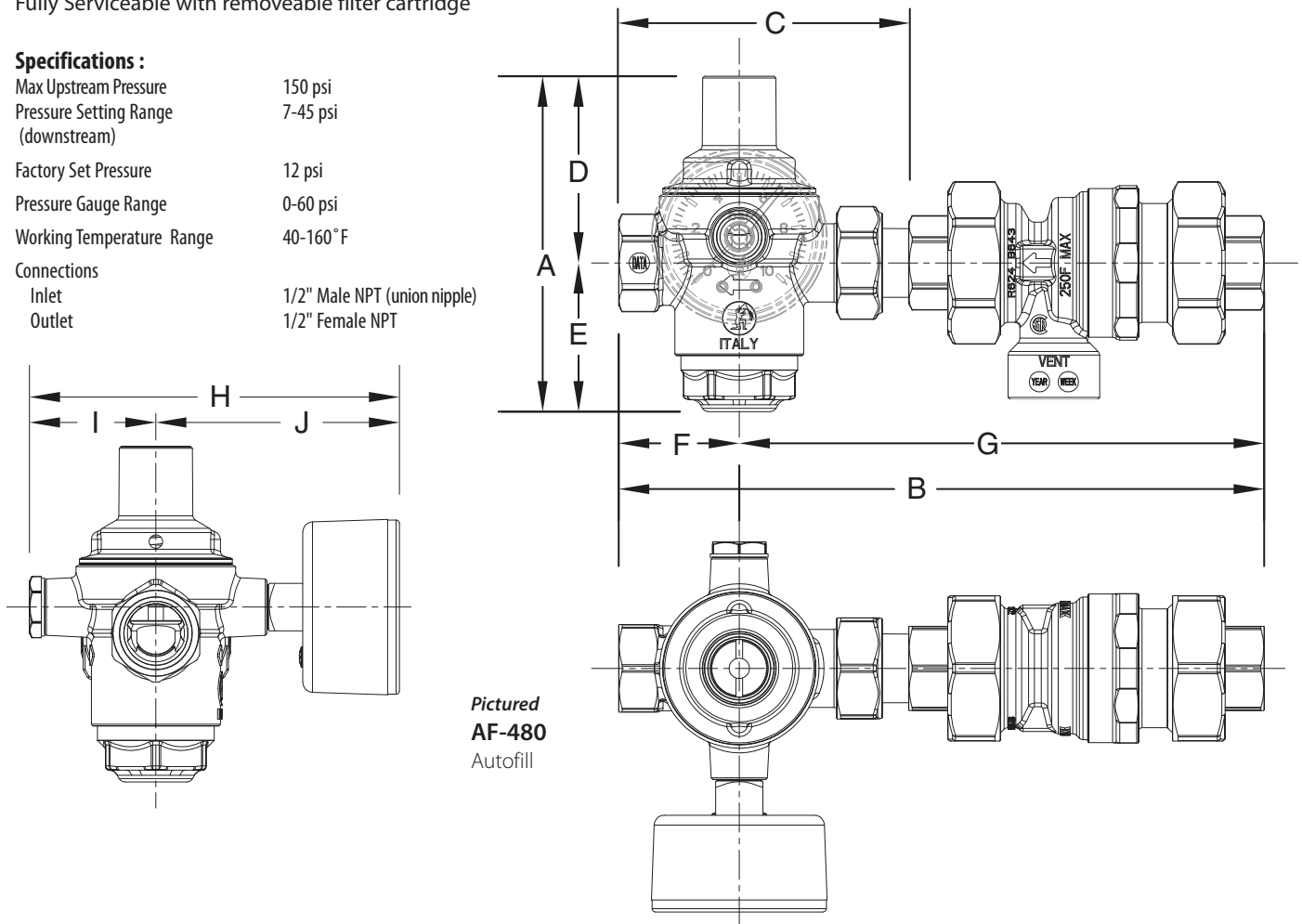


- Includes system pressure gauge
- Adjustable from 7-45 psi (pre-set to 12 psi)
- Built-in check valve
- Fully Serviceable with removeable filter cartridge

¹See model T-459 for Backflow Preventer specifications.

Specifications :

Max Upstream Pressure	150 psi
Pressure Setting Range (downstream)	7-45 psi
Factory Set Pressure	12 psi
Pressure Gauge Range	0-60 psi
Working Temperature Range	40-160° F
Connections	
Inlet	1/2" Male NPT (union nipple)
Outlet	1/2" Female NPT



Pictured
AF-480
 Autofill

DIMENSIONS (inches)

Size	A	B	C	D	E	F	G	H	I	J
1/2"	3.9	7.4	3.9	2.2	1.7	1.4	6.0	4.3	1.5	2.8

Material Specification Next Page

AUTO-FILL WITH BACKFLOW PREVENTER¹

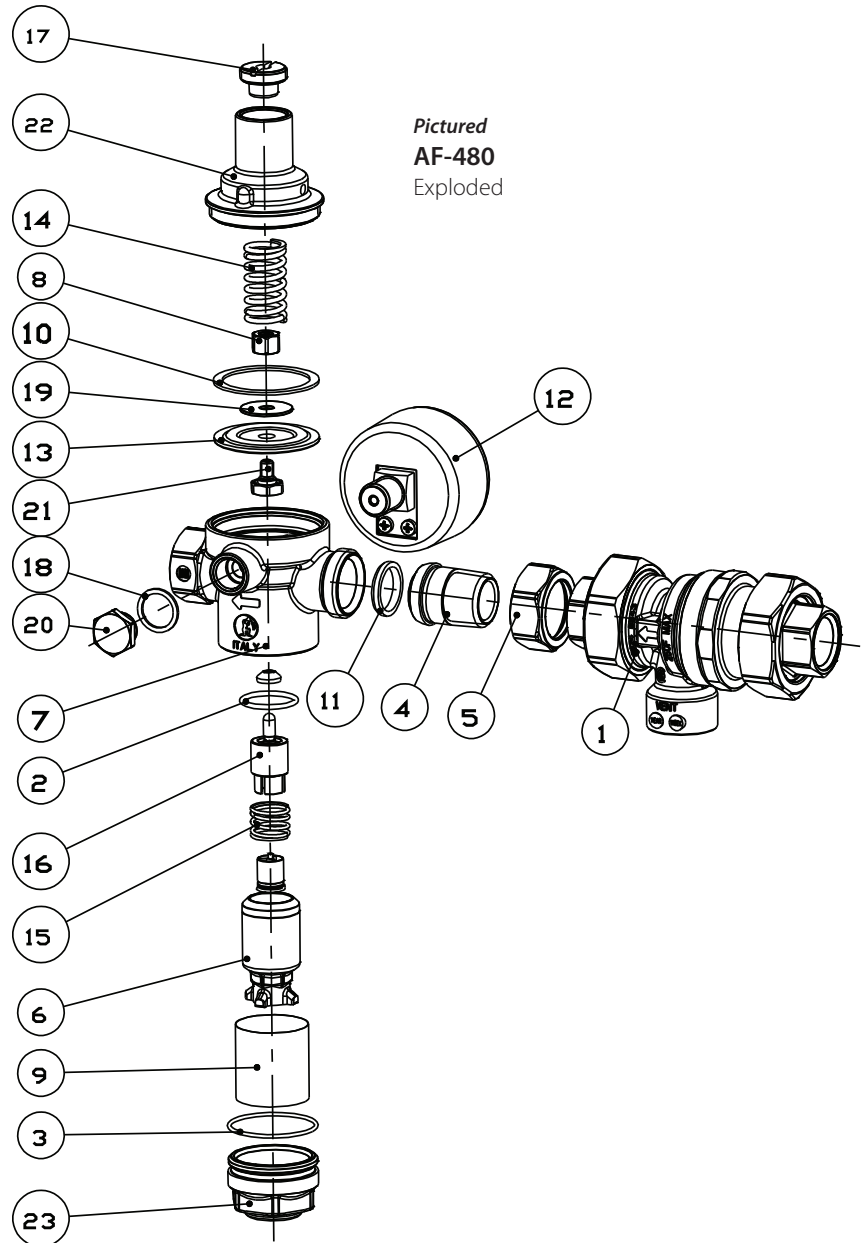
AF-480



MATERIAL SPECIFICATION

PART	MATERIAL	SPECIFICATION
1 Backflow Preventer ¹	Brass	ASTM B124 UNS C3770
2 O-ring	Plastic	EP 851 - ethylene propylene
3 O-ring	Plastic	EP 851 - ethylene propylene
4 Tail Piece	Brass	ASTM B124 UNS C37700
5 Nut	Brass	ASTM B124 UNS C37700
6 Separator	Brass	ASTM B124 UNS C37700
7 Body	Brass	ASTM B124 UNS C37700
8 Nut	Brass	ASTM B124 UNS C37700
9 Filter	Steel	INOX Steel
10 Washer	Paper	Vegetal Fiber
11 Washer	Plastic	PTFE Teflon®
12 Pressure Gauge	Brass	Brass / Plastic
13 Membrane	Rubber	NBR Nitrilic
14 Spring	Steel	Acciaio Steel
15 Spring	Steel	INOX Steel
16 Shutter	Brass	ASTM B124 UNS C37700
17 Stuffing Spring	Brass	ASTM B124 UNS C37700
18 Washer	Copper	Copper
19 Washer	Brass	ASTM B124 UNS C37700
20 Cap	Brass	ASTM B124 UNS C37700
21 Screw	Brass	ASTM B124 UNS C37700
22 Bonnet	Brass	ASTM B124 UNS C37700
23 Bonnet	Brass	ASTM B124 UNS C37700

¹See model T-459 for Backflow Preventer specifications.



Pictured
AF-480
 Exploded