

**SUBMITTAL SHEET**

JOB NAME		ITEM TAG
JOB LOCATION		PART NUMBER
CONTRACTOR	DATE	
ENGINEER APPROVAL	DATE	

**DOUBLE MALE HEX NIPPLE**

**A-92**

2½" MNPT x 2-1/2" MNST (male NH)

Durable forged brass construction.

Full-pattern body with six wrench flats.

Male NST (National Standard Thread, or NH National Hose) x Male NPT (tapered pipe) connections.

Ideal for adapting the fire hose connection to a control valve or other plumbing fitting.



*Pictured:*  
A-92

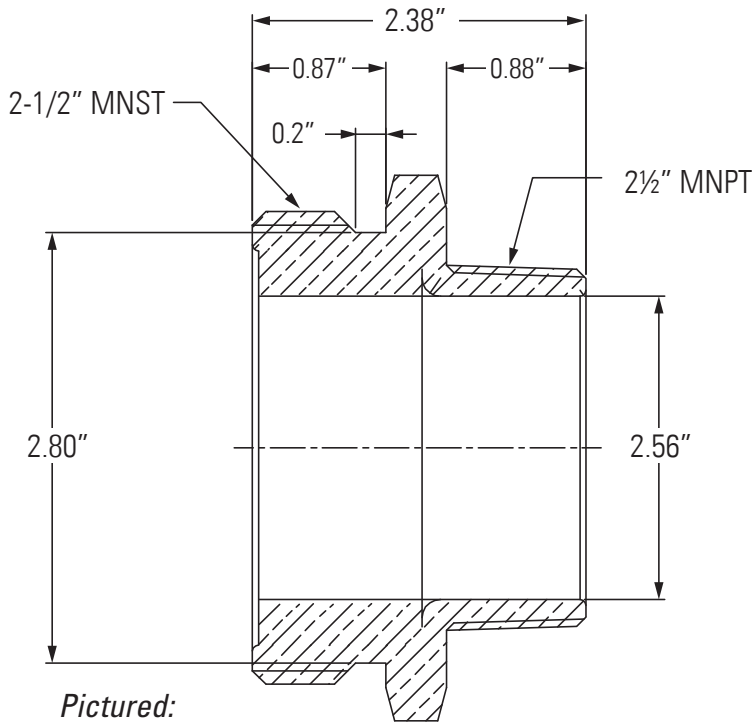
**Working Pressure, Non-Shock (PSI)**

Cold working pressure (CWP): Refer to hose rating

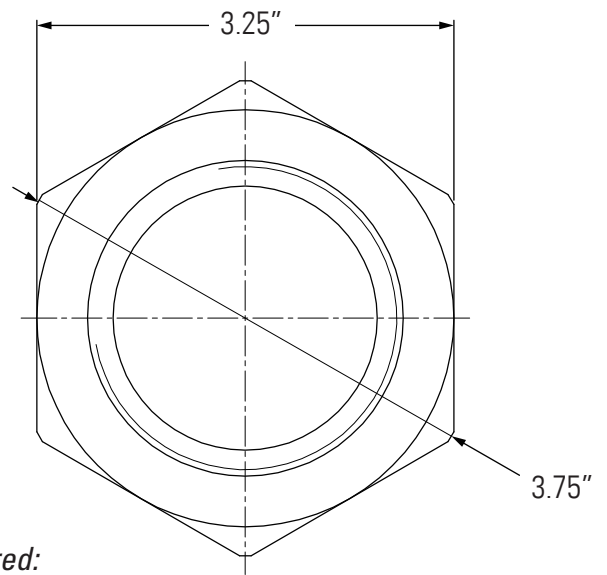
Saturated steam (WSP): Not suitable for steam applications

**MATERIAL SPECIFICATION**

PART	MATERIAL	SPECIFICATION
1 Body	Forged brass	ASTM B124 UNS C37700



*Pictured:*  
A-92  
Cut-away view



*Pictured:*  
A-92  
Top view