

SUBMITTAL SHEET

JOB NAME	ITEM TAG
JOB LOCATION	PART NUMBER
CONTRACTOR	DATE
ENGINEER APPROVAL	DATE

MALE HOSE THREAD PLUG WITH PIN LUGS AND CHAIN TETHER

A-81

Durable forged brass construction stands up to harsh operating conditions.

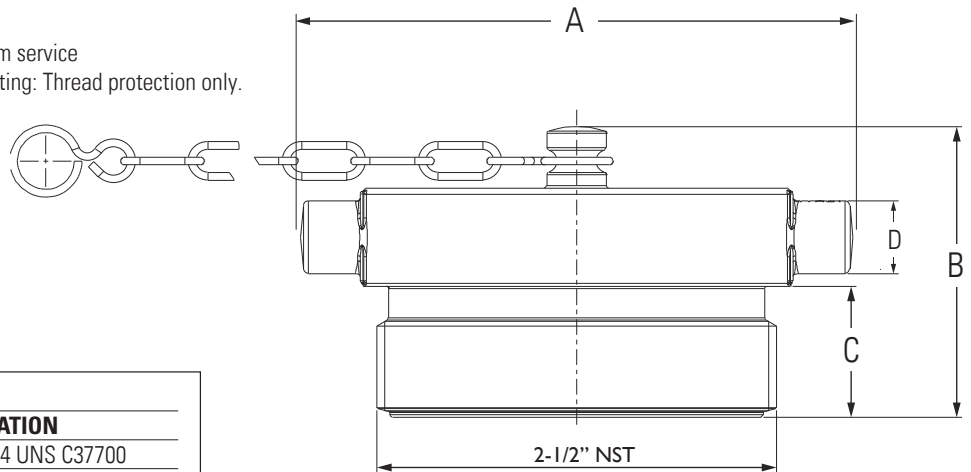
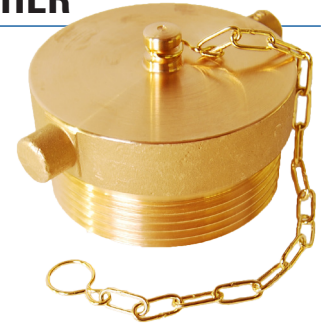
Full-pattern body permits quick, easy hand engagement, while double pin lugs allow for correct tool engagement and final-tightening.

Male NST thread pattern fits all female NST (National Hose) threads. Flat-faced lead-in thread has a broad sealing surface, to accommodate different gasket widths.

Fitted brass chain tether can be attached to the valve body, to prevent fitting loss or damage. The chain's loop ends allow fitting rotation without twisting or binding.

Working Pressure, Non-Shock (PSI)

Saturated Steam (WSP): not suitable for steam service
Cold Working Pressure (CWP): No pressure rating: Thread protection only.



MATERIAL SPECIFICATION		
PART	MATERIAL	SPECIFICATION
1	Body	Forged brass ASTM B124 UNS C37700
2	Chain	Forged brass ASTM B124 UNS C37700

DIMENSIONS						
Size	A	B	C	D	Chain Length	Wt.
2-1/2"	4.25	2.22	1.00	0.56	9.13	1.38lb

Pictured:

Model A-81 2-1/2" NST plug with chain
Side and top view

