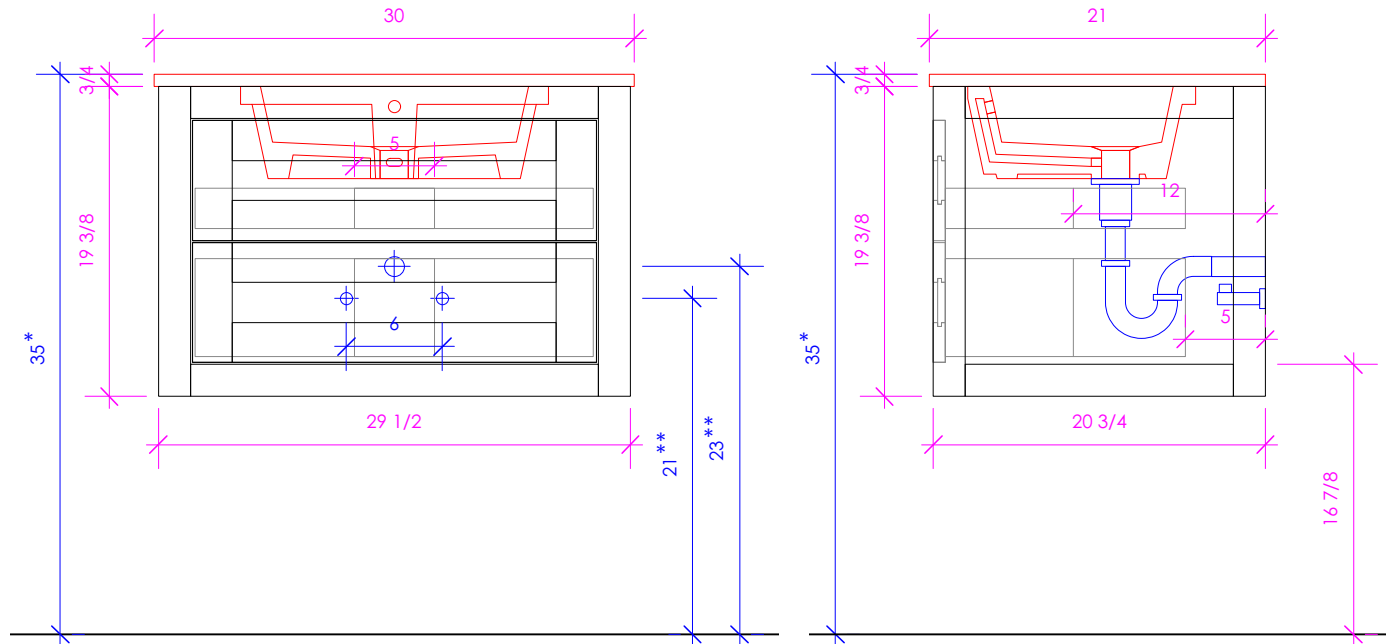


LACAVA

STILE

STL-W-30B



* Recommended installation height
 ** Recommended plumbing location

FEATURES:

- WALL MOUNT VANITY
- TWO DRAWERS WITH SELF-CLOSE GLIDES
- INTERIOR DRAWERS STAINED TO REFLECT EXTERIOR FINISH
- SHAKER STYLE DETAILING
- DECORATIVE HARDWARE **K121** INCLUDED BUT NOT INSTALLED - CAN BE INSTALLED UPON REQUEST
- USED WITH **STL-30T** COUNTERTOP AND **5452UN** SINK (SOLD SEPARATELY)
- PROUDLY HANDMADE IN THE USA
- MANUFACTURED WITH LOW VOC FINISHES AND WOOD FROM RENEWABLE FORESTS

FINISHES:

WOOD:

STANDARD:

02 - NATURAL CHERRY
 07 - NATURAL WALNUT
 24 - CLASSIC WALNUT
 20 - ASH GRAY
 06 - WENGE
 33 - AFRICAN MAHOGANY

PREMIUM:

22 - GRAY ZEBRA
 31 - WHITE OAK
 47 - SMOKY WALNUT
 08 - MATTE WHITE
 35 - MATTE ARDESIA
 54 - MATTE TAUPE
 16 - MATTE BLACK

LUXURY:

37 - WEATHERED OAK
 52 - SILVER OAK
 50 - HORIZON BLUE
 85 - GLOSS WHITE
 88 - GLOSS ARDESIA
 84 - GLOSS TAUPE
 86 - GLOSS BLACK
 08T1 - WHITE W/ TEXTURE
 35T1 - ARDESIA W/ TEXTURE
 54T1 - TAUPE W/ TEXTURE
 16T1 - BLACK W/ TEXTURE

COUNTERTOP: **STL-30T / 5452UN**

STONE:

WH - BIANCO
 LN - LINAC
 SL - ATHENS
 BN - STORM

QUARTZ:

PR - PURO
 FS - FOSSIL
 AH - ASH
 CA - CREMA

SOLID SURFACE:

M - SATIN WHITE
 G - POLISHED WHITE

METALS:

METAL:

21 - BRUSHED STAINLESS STEEL
 10 - POLISHED STAINLESS STEEL
 51 - BRUSHED BRASS
 44 - MATTE BLACK

LACAVA reserves the right to revise any dimension or information on this sheet without notice. Dimensions are nominal and may vary within an industry accepted tolerance of 1/4". Cabinets with 'vanity top' sinks are made to the matching sink and dimensions may vary. LACAVA is not responsible for any cutouts, countertops, or furniture made without the actual product or template. Differences in color, grain, appearance, and texture are inherent in all natural woodwork and should be expected. Variances in these qualities are not deemed manufacturing defects and will not be accepted as valid reasons for return or exchanges. Plumbing specifications are only a guideline and may need alteration based on application.

6630 WEST WRIGHTWOOD
 CHICAGO, IL 60707

PH: 773-637-9600
 FAX: 773-637-9601

LACAVA.COM
 INFO@LACAVA.COM