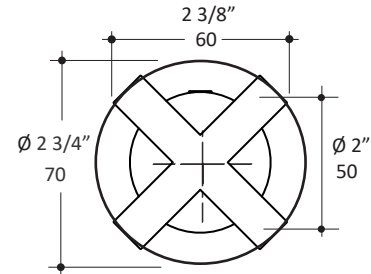


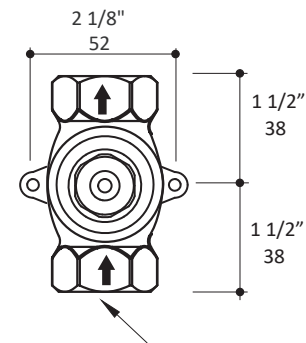
### Specifications:

<b>Installation:</b>	built-in wall mount
<b>Exterior Dimensions:</b>	Ø 2 3/4"
<b>Material:</b>	solid brass construction ceramic cartridge
<b>Water use:</b>	12 GPM (43.5 PSI)
<b>Finishes:</b>	CR - polished chrome PN - polished nickel NI - brushed nickel BG - brushed gold 44 - matte black
<b>Fittings included:</b>	Rough-in # VST and trim # 15ST.X.R-A



### Features:

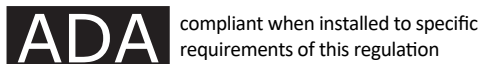
- stop valve
- round backplate
- cross handle
- opens clockwise
- volume valve with 90° rotating angle
- 3/4" NPT water IN and OUT connections
- 1/2" NPT reducers available
- 1" extension kit available



2 X F 3/4 NPT  
for 3/4 copper tubing

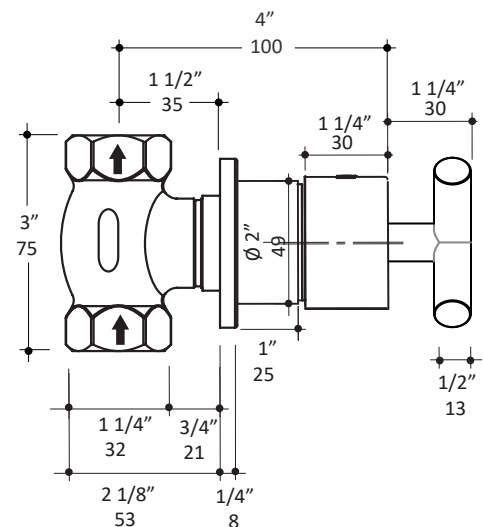
### Codes + Standards:

- Meets and exceeds applicable national codes and standards
- CAL-Green compliant



### Recommended Items:

- Replacement parts:
  - VST rough-in
  - 15ST.X.R-A trim
  - VST-C ceramic cartridge
  - VST-EX 1" extension kit



LACAVA reserves the right to revise any dimension or information on this sheet without notice. Dimensions are nominal and may vary within an industry accepted tolerance of 1/4". Drawings provided herein are meant to give the user an idea of the product and are not made to scale. Location of plumbing is meant for reference, your specific application may vary. Revised: 07/17/2019