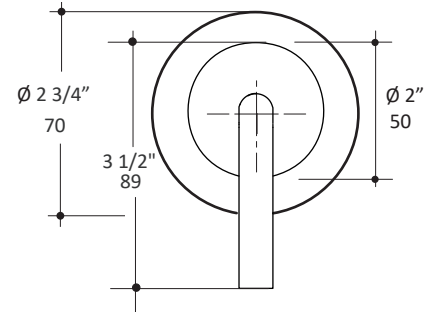


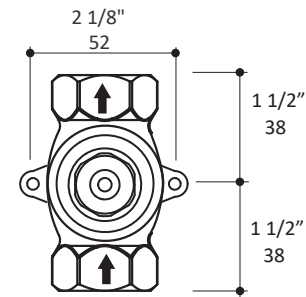
Specifications:

Installation:	built-in wall mount
Exterior Dimensions:	Ø 2 3/4"
Material:	solid brass construction ceramic cartridge
Water use:	12 GPM (43.5 PSI)
Finishes:	CR - polished chrome PN - polished nickel NI - brushed nickel BG - brushed gold 44 - matte black
Fittings included:	Rough-in # VST and trim # 15ST.C.R-A



Features:

- stop valve
- round backplate
- lever handle
- opens counterclockwise 15ST.C.R-CC
- opens clockwise 15ST.C.R-CL
- volume valve with 90° rotating angle
- 3/4" NPT water IN and OUT connections
- 1/2" NPT reducers available
- 1" extension kit available



2 X F 3/4 NPT
for 3/4 copper tubing

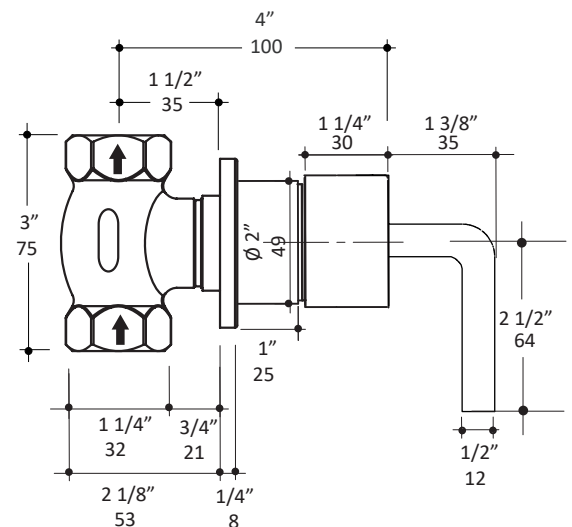
Codes + Standards:

- Meets and exceeds applicable national codes and standards
- CAL-Green compliant

ADA compliant when installed to specific requirements of this regulation

Recommended Items:

- Replacement parts:
 - VST-CC/CL rough-in
 - 15ST.C.R-A trim
 - VST-C ceramic cartridge
 - VST-EX 1" extension kit



LACAVA reserves the right to revise any dimension or information on this sheet without notice. Dimensions are nominal and may vary within an industry accepted tolerance of 1/4". Drawings provided herein are meant to give the user an idea of the product and are not made to scale. Location of plumbing is meant for reference, your specific application may vary.
Revised: 07/02/2020