

Specifications:

Installation:	vanity-top
Exterior Dimensions:	30" w x 22" d x 6 1/4" h
Material:	Solid surface
Weight:	42 lbs
Overflow:	Yes
Finishes:	M - Matte white G - Gloss white
Faucet Holes:	00 - no hole 01 - one centered hole 02 - two hole - center and right, 4" spread 03 - three hole, 8" spread
Faucet Hole Size:	Ø 1 3/8"
Drain Hole Size:	Ø 1 3/4"
Cutout Size:	28" x 19" (templates available upon request)



Features:

- Stain, scratch, chemical, impact resistant
- Optional backsplash available

Codes + Standards:

- Meets and exceeds applicable national codes and standards



compliant when installed to specific requirements of this regulation

Recommended Items:

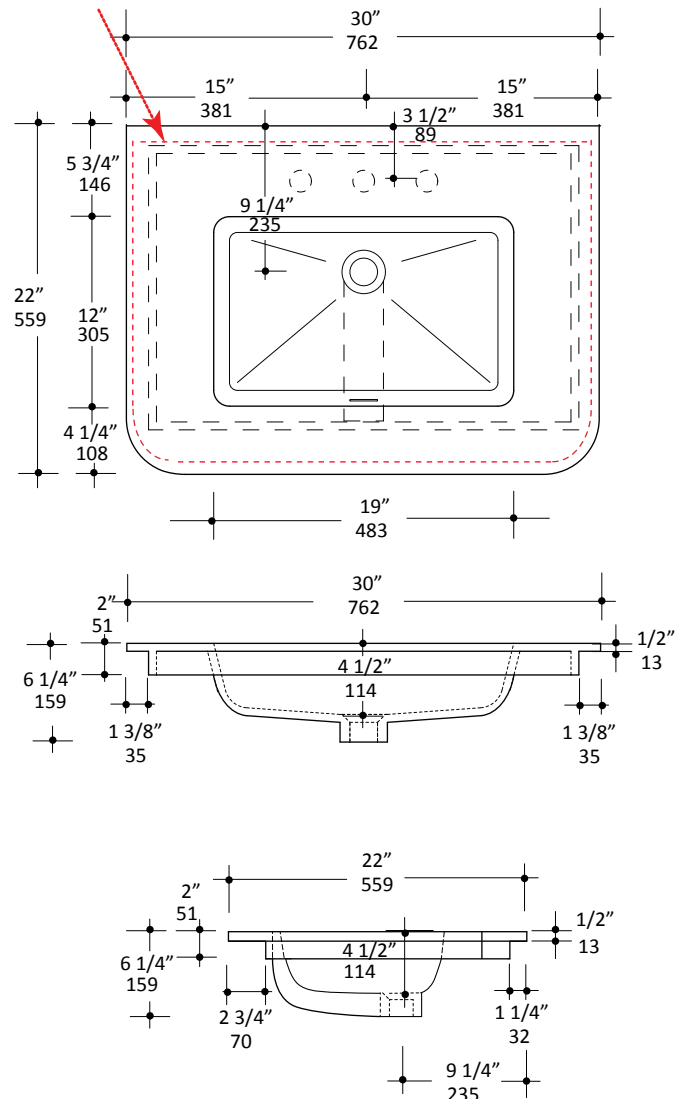
- BKS - 6" Backsplash G - gloss, M - matte
- Furniture for K30-FLT 22" deep sinktop
 - FLT-W-30 - Floor-standing or wall mounted vanity with two drawers and optional legs
- Furniture for K30-ELE 22" deep sinktop
 - ELE-W-30 - Floor-standing or wall mounted vanity with one drawer and optional legs
- Drain with overflow
 - 7100-17
 - 7100-16OF
 - 7100-13OF

Care + Maintenance:

To prevent damage to the solid surface material, hot objects and open flame should not be placed in direct contact with the surface

[Click Here](#) to find out more about proper care and maintenance

CUT OUT
starts 1" from the back
28" x 19"
711 x 482



LACAVA reserves the right to revise any dimension or information on this sheet without notice. Dimensions are nominal and may vary within an industry accepted tolerance of 1/4". Drawings provided herein are meant to give the user an idea of the product and are not made to scale. Revised: 12/16/2024