

LACAVA

CONCRETE
CT2218

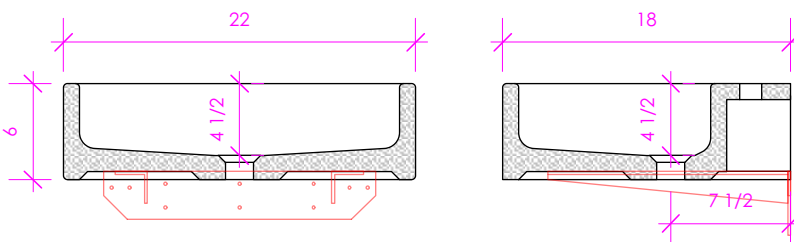
SPECIFICATIONS:

INSTALLATION:	WALLMOUNT OR VANITY TOP	
EXTERIOR DIMENSIONS:	22"w x 18"d x 6"h	
BASIN DIMENSIONS:	20"w x 12"d x 4-1/2"h	
MATERIAL:	CONCRETE	
WEIGHT:	80 lbs	
OVERFLOW:	NO	
FINISHES:	TER - Terracotta	CLY - Clay
	SLT - Slate	SUN - Sun
	CHL - Charcoal	GAL - Galaxy
	SND - Sand	AQA - Aqua
	MOS - Moss	MAH - Matcha
	LIL - Lilac	BRK - Brick
FAUCET HOLES:	00 - NO HOLE	
	01 - ONE CENTERED HOLE	
	02 - TWO HOLES CENTER AND RIGHT AT 4" SPREAD	
	03 - THREE HOLES AT 8" SPREAD	
FAUCET HOLE SIZE:	1-3/8" dia	
DRAIN HOLE SIZE:	1-3/4" dia	



FEATURES:

- CONCRETE SINK WITHOUT OVERFLOW
- WALL MOUNTED USING SURFACE MOUNT BRACKET **BR1715**, WALL STUD BRACKET **BR-ST18**, OR USED ON TOP OF VANITY
- **BR1715** BRACKET IS 17"W X 15-3/16"D X 3"H
- **BR-ST18** BRACKET IS 2-7/8"W X 18"D X 12"H
- PROUDLY HANDMADE IN THE USA

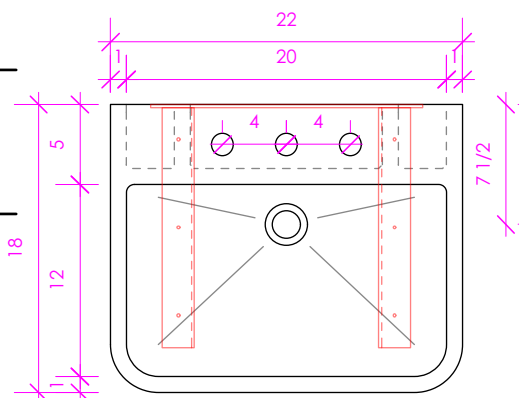


CODES AND STANDARDS:

- MEETS AND EXCEEDS APPLICABLE NATIONAL CODES AND STANDARDS

RECOMMENDED ITEMS:

- BRACKET:
BR1715 (17"W X 15-3/16"D X 3"H)
OR
BR-ST18 (2-7/8"W X 18"D X 12"H)
- DRAIN:
7100-13 - STATIONARY EUROPEAN DRAIN
7100-16 - CLICK CLACK EUROPEAN DRAIN



SHOWN WITH
BR1715

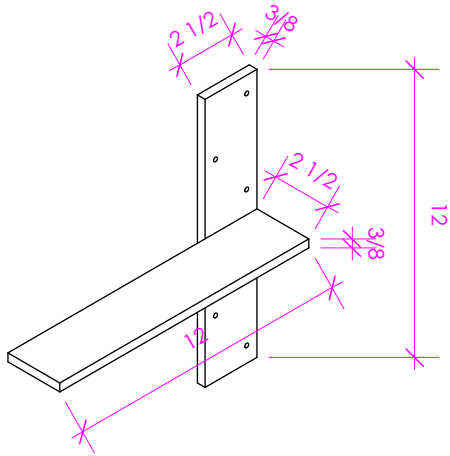
CARE AND MAINTENANCE:

- DUE TO THE NATURE OF CONCRETE MATERIAL, PLEASE DO NOT OVERTIGHTEN THE DRAIN AND OTHER HARDWARE AS IT MAY CAUSE THE SINK TO CHIP OR CRACK
- SEE FAQ FOR MORE ON PROPER CARE AND MAINTENANCE

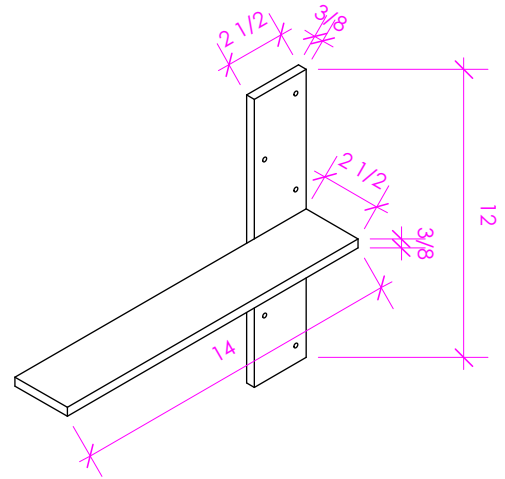
LACAVA reserves the right to revise any dimension or information on this sheet without notice. Dimensions are nominal and may vary within an industry accepted tolerance of 1/4". Cabinets with 'vanity top' sinks are made to the matching sink and dimensions may vary. LACAVA is not responsible for any cutouts, countertops, or furniture made without the actual product or template. Differences in color, grain, appearance, and texture are inherent in all natural woodwork and should be expected. Variances in these qualities are not deemed manufacturing defects and will not be accepted as valid reasons for return or exchanges. Plumbing specifications are only a guideline and may need alteration based on application.

LACAVA

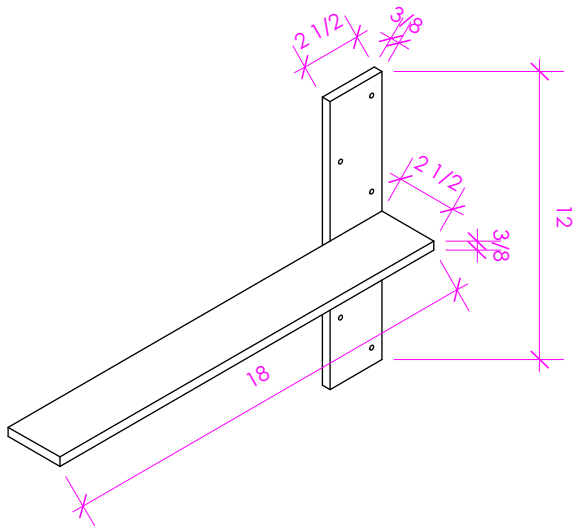
WALL STUD BRACKETS



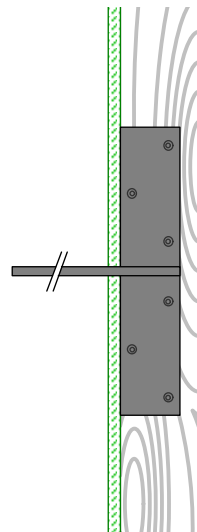
BR-ST12



BR-ST14



BR-ST18



REVERSIBLE STEEL BRACKET
IN MATTE BLACK
TO SECURE TO STUDS

LACAVA reserves the right to revise any dimension or information on this sheet without notice. Dimensions are nominal and may vary within an industry accepted tolerance of 1/4". Cabinets with 'vanity top' sinks are made to the matching sink and dimensions may vary. LACAVA is not responsible for any cutouts, countertops, or furniture made without the actual product or template. Differences in color, grain, appearance, and texture are inherent in all natural woodwork and should be expected. Variances in these qualities are not deemed manufacturing defects and will not be accepted as valid reasons for return or exchanges. Plumbing specifications are only a guideline and may need alteration based on application.