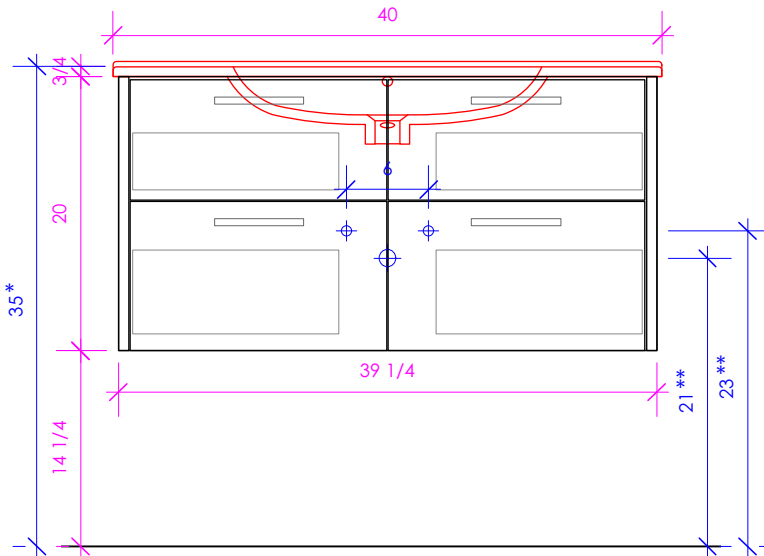
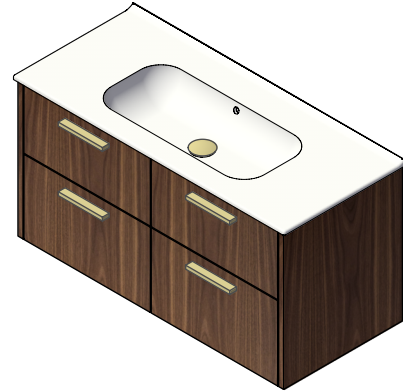


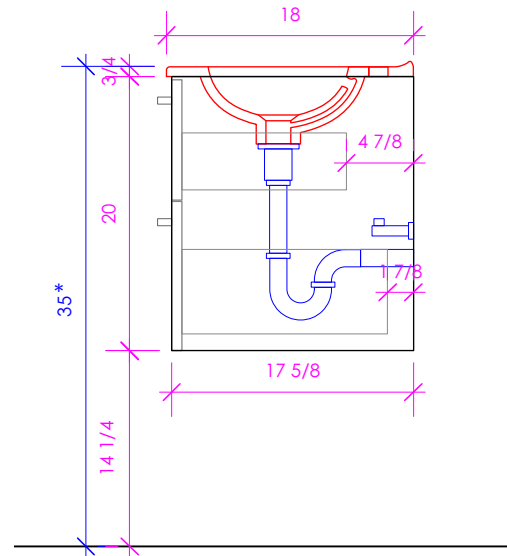
LACAVA

AQUATRE

AQT-WB-40



SHOWN WITH 8073 SINK



* Recommended installation height
** Recommended plumbing location

FEATURES:

- WALL MOUNT VANITY
- FOUR DRAWERS WITH SELF-CLOSE GLIDES
- USED WITH 8073 OR 8072 SINK (SOLD SEPARATELY)
- DECORATIVE HARDWARE K450 INCLUDED BUT NOT INSTALLED - CAN BE INSTALLED UPON REQUEST
- ****SPECIFY K450 FINISH WHEN PLACING ORDER****
- POLISHED CHROME, POLISHED NICKEL, BRUSHED NICKEL, MATTE BLACK, MATTE WHITE, SATIN BRASS
- INTERIOR DRAWERS STAINED TO REFLECT EXTERIOR FINISH
- PROUDLY HANDMADE IN THE USA
- MANUFACTURED WITH LOW VOC FINISHES AND WOOD FROM RENEWABLE FORESTS

FINISHES:

WOOD:

STANDARD:

- 02 - NATURAL CHERRY
- 07 - NATURAL WALNUT***
- 24 - CLASSIC WALNUT
- 20 - ASH GRAY***
- 06 - WENGE
- 33 - AFRICAN MAHOAGANY

PREMIUM:

- 22 - GRAY ZEBRA
- 31 - WHITE OAK
- 47 - SMOKY WALNUT
- 08 - MATTE WHITE***
- 35 - MATTE ARDESIA
- 54 - MATTE TAUPE
- 16 - MATTE BLACK

LUXURY:

- 37 - WEATHERED OAK
- 52 - SILVER OAK
- 50 - HORIZON BLUE
- 85 - GLOSS WHITE
- 88 - GLOSS ARDESIA
- 84 - GLOSS TAUPE
- 86 - GLOSS BLACK
- 08T1 - WHITE W/ TEXTURE
- 35T1 - ARDESIA W/ TEXTURE
- 54T1 - TAUPE W/ TEXTURE
- 16T1 - BLACK W/ TEXTURE

*** WOOD FINISHES AVAILABLE ***
AS PART OF QUICKSHIP PROGRAM

COUNTERTOP:

STONE:

- WH - BIANCO
- LN - LINAC
- SL - ATHENS
- BN - STORM

QUARTZ:

- PR - PURO
- FS - FOSSIL
- AH - ASH
- CA - CREMA

SOLID SURFACE:

- M - SATIN WHITE
- G - POLISHED WHITE

METALS:

METAL:

- 21 - BRUSHED STAINLESS STEEL
- 10 - POLISHED STAINLESS STEEL
- 51 - BRUSHED BRASS
- 44 - MATTE BLACK

LACAVA reserves the right to revise any dimension or information on this sheet without notice. Dimensions are nominal and may vary within an industry accepted tolerance of 1/4". Cabinets with 'vanity top' sinks are made to the matching sink and dimensions may vary. LACAVA is not responsible for any cutouts, countertops, or furniture made without the actual product or template. Differences in color, grain, appearance, and texture are inherent in all natural woodwork and should be expected. Variances in these qualities are not deemed manufacturing defects and will not be accepted as valid reasons for return or exchanges. Plumbing specifications are only a guideline and may need alteration based on application.

6630 WEST WRIGHTWOOD
CHICAGO, IL 60707

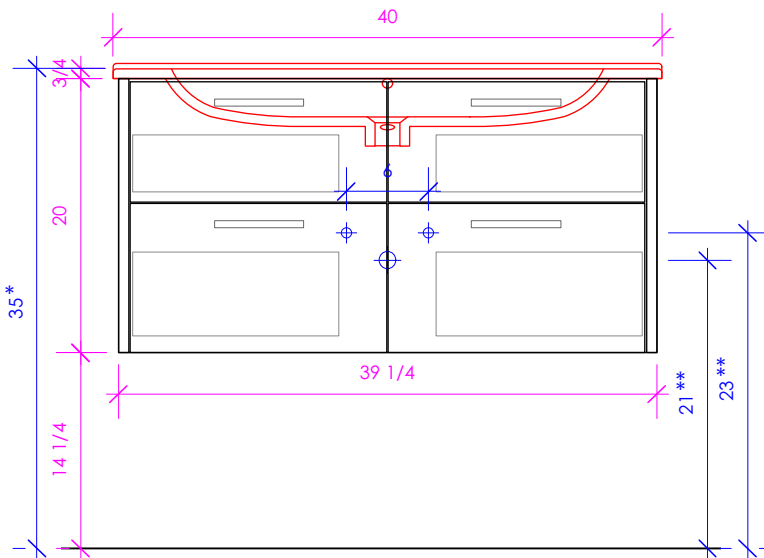
PH: 773-637-9600
FAX: 773-637-9601

LACAVA.COM
INFO@LACAVA.COM

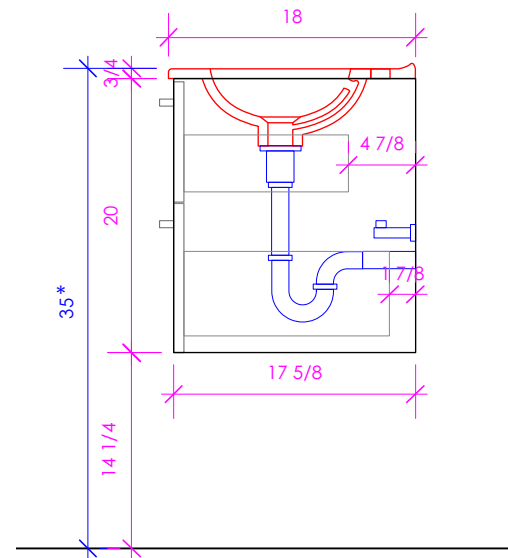
LACAVA

AQUATRE

AQT-WB-40



SHOWN WITH 8072 SINK



* Recommended installation height
** Recommended plumbing location

FEATURES:

- WALL MOUNT VANITY
- FOUR DRAWERS WITH SELF-CLOSE GLIDES
- USED WITH 8073 OR 8072 SINK (SOLD SEPARATELY)
- DECORATIVE HARDWARE K450 INCLUDED BUT NOT INSTALLED - CAN BE INSTALLED UPON REQUEST
- ****SPECIFY K450 FINISH WHEN PLACING ORDER****
- POLISHED CHROME, POLISHED NICKEL, BRUSHED NICKEL, MATTE BLACK, MATTE WHITE, SATIN BRASS
- INTERIOR DRAWERS STAINED TO REFLECT EXTERIOR FINISH
- PROUDLY HANDMADE IN THE USA
- MANUFACTURED WITH LOW VOC FINISHES AND WOOD FROM RENEWABLE FORESTS

FINISHES:

WOOD:

STANDARD:

02 - NATURAL CHERRY
07 - NATURAL WALNUT***
24 - CLASSIC WALNUT
20 - ASH GRAY***
06 - WENGE
33 - AFRICAN MAHOAGANY

PREMIUM:

22 - GRAY ZEBRA
31 - WHITE OAK
47 - SMOKY WALNUT
08 - MATTE WHITE***
35 - MATTE ARDESIA
54 - MATTE TAUPE
16 - MATTE BLACK

LUXURY:

37 - WEATHERED OAK
52 - SILVER OAK
50 - HORIZON BLUE
85 - GLOSS WHITE
88 - GLOSS ARDESIA
84 - GLOSS TAUPE
86 - GLOSS BLACK
08T1 - WHITE W/ TEXTURE
35T1 - ARDESIA W/ TEXTURE
54T1 - TAUPE W/ TEXTURE
16T1 - BLACK W/ TEXTURE

*** WOOD FINISHES AVAILABLE ***
AS PART OF QUICKSHIP PROGRAM

COUNTERTOP:

STONE:

WH - BIANCO
LN - LINAC
SL - ATHENS
BN - STORM

QUARTZ:

PR - PURO
FS - FOSSIL
AH - ASH
CA - CREMA

SOLID SURFACE:

M - SATIN WHITE
G - POLISHED WHITE

METALS:

METAL:

21 - BRUSHED STAINLESS STEEL
10 - POLISHED STAINLESS STEEL
51 - BRUSHED BRASS
44 - MATTE BLACK

LACAVA reserves the right to revise any dimension or information on this sheet without notice. Dimensions are nominal and may vary within an industry accepted tolerance of 1/4". Cabinets with 'vanity top' sinks are made to the matching sink and dimensions may vary. LACAVA is not responsible for any cutouts, countertops, or furniture made without the actual product or template. Differences in color, grain, appearance, and texture are inherent in all natural woodwork and should be expected. Variances in these qualities are not deemed manufacturing defects and will not be accepted as valid reasons for return or exchanges. Plumbing specifications are only a guideline and may need alteration based on application.

6630 WEST WRIGHTWOOD
CHICAGO, IL 60707

PH: 773-637-9600
FAX: 773-637-9601

LACAVA.COM
INFO@LACAVA.COM