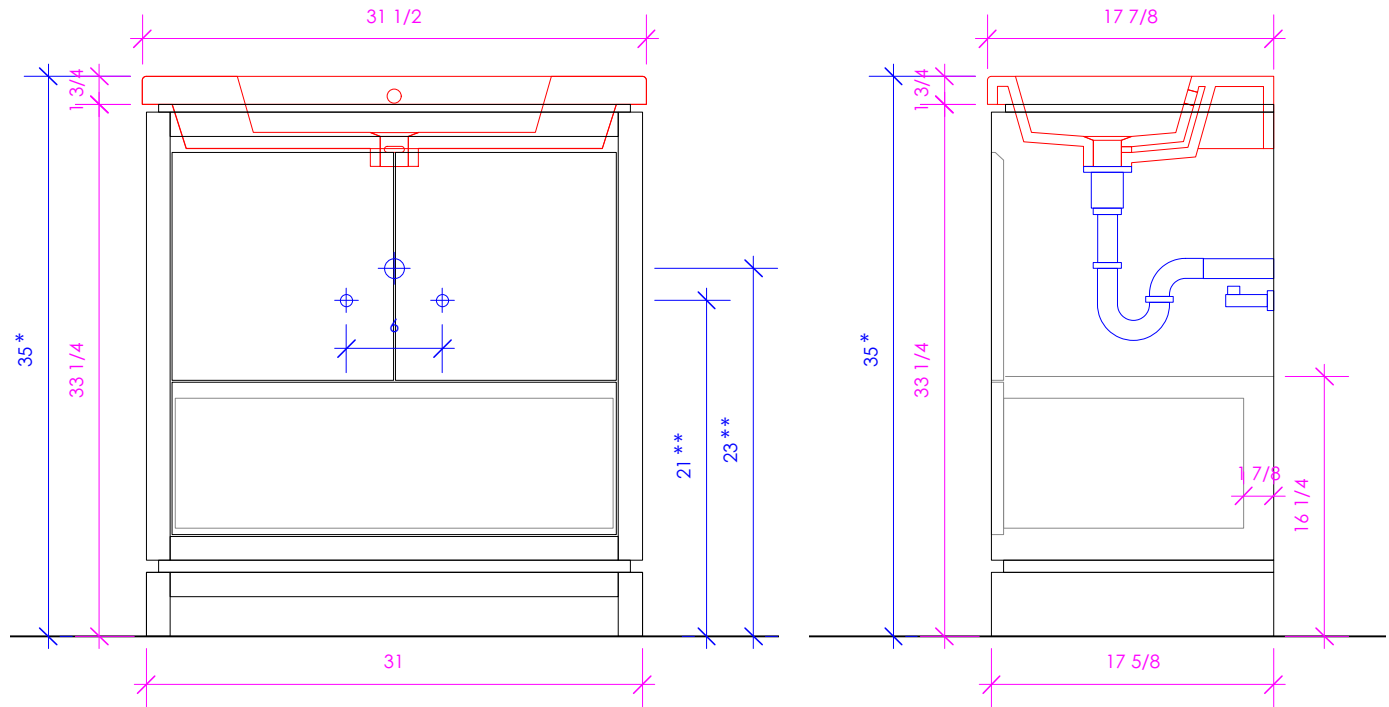


# LACAVA

## AQUAQUATTRO

AQQ-F-32



\* Recommended installation height  
 \*\* Recommended plumbing location

### FEATURES:

- FLOOR STANDING VANITY
- TWO DOORS WITH SOFT-CLOSE HINGES
- ROUTED FINGERPULL OPENINGS
- ONE DRAWER WITH SELF-CLOSE GLIDES
- INTERIOR DRAWER STAINED TO REFLECT EXTERIOR FINISH
- DECORATIVE HARDWARE **K470** INCLUDED BUT NOT INSTALLED - CAN BE INSTALLED UPON REQUEST
- USED WITH **5212** SINK (SOLD SEPARATELY)
- PROUDLY HANDMADE IN THE USA
- MANUFACTURED WITH LOW VOC FINISHES AND WOOD FROM RENEWABLE FORESTS

### FINISHES:

#### WOOD:

##### STANDARD:

02 - NATURAL CHERRY  
 07 - NATURAL WALNUT  
 24 - CLASSIC WALNUT  
 20 - ASH GRAY  
 06 - WENGE  
 33 - AFRICAN MAHOGANY

##### PREMIUM:

22 - GRAY ZEBRA  
 31 - WHITE OAK  
 47 - SMOKY WALNUT  
 08 - MATTE WHITE  
 35 - MATTE ARDESIA  
 54 - MATTE TAUPE  
 16 - MATTE BLACK

##### LUXURY:

37 - WEATHERED OAK  
 52 - SILVER OAK  
 50 - HORIZON BLUE  
 85 - GLOSS WHITE  
 88 - GLOSS ARDESIA  
 84 - GLOSS TAUPE  
 86 - GLOSS BLACK  
 08T1 - WHITE W/ TEXTURE  
 35T1 - ARDESIA W/ TEXTURE  
 54T1 - TAUPE W/ TEXTURE  
 16T1 - BLACK W/ TEXTURE

#### COUNTERTOP:

##### STONE:

WH - BIANCO  
 LN - LINAC  
 SL - ATHENS  
 BN - STORM

##### QUARTZ:

PR - PURO  
 FS - FOSSIL  
 AH - ASH  
 CA - CREMA

##### SOLID SURFACE:

M - SATIN WHITE  
 G - POLISHED WHITE

#### METALS:

##### METAL:

21 - BRUSHED STAINLESS STEEL  
 10 - POLISHED STAINLESS STEEL  
 51 - BRUSHED BRASS  
 44 - MATTE BLACK

LACAVA reserves the right to revise any dimension or information on this sheet without notice. Dimensions are nominal and may vary within an industry accepted tolerance of 1/4". Cabinets with 'vanity top' sinks are made to the matching sink and dimensions may vary. LACAVA is not responsible for any cutouts, countertops, or furniture made without the actual product or template. Differences in color, grain, appearance, and texture are inherent in all natural woodwork and should be expected. Variances in these qualities are not deemed manufacturing defects and will not be accepted as valid reasons for return or exchanges. Plumbing specifications are only a guideline and may need alteration based on application.

6630 WEST WRIGHTWOOD  
 CHICAGO, IL 60707

PH: 773-637-9600  
 FAX: 773-637-9601

LACAVA.COM  
 INFO@LACAVA.COM