

# LACAVA

**SUAVE**  
6060S + 6060P  
SINK PEDESTAL

## SPECIFICATIONS:

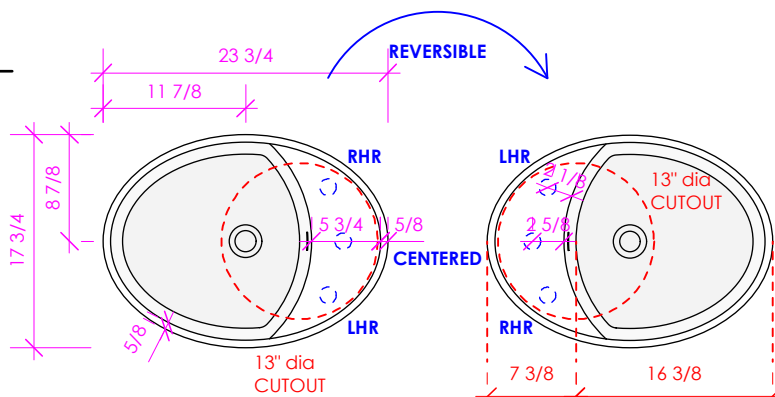
INSTALLATION:	VESSEL OR PEDESTAL
SINK EXT. DIMENSIONS:	23-3/4" w x 17-3/4" d x 6" h
PEDESTAL EXT. DIMENSIONS:	23-3/4" w x 17-3/4" d x 29" h
MATERIAL:	SOLID SURFACE
WEIGHT:	6060S SINK - 44 lbs 6060P PEDESTAL - 76 lbs
OVERFLOW:	YES
FINISHES:	M - MATTE WHITE G - GLOSS WHITE
FAUCET HOLES:	0 - NO HOLES 1 - ONE CENTERED HOLE LHR - LEFT HAND REAR ONE HOLE RHR - RIGHT HAND REAR ONE HOLE



FAUCET HOLE SIZE:	1-3/8" dia
CUTOUT SIZE:	13" dia
DRAIN HOLE SIZE:	1-3/4" dia

## FEATURES:

- SOLID SURFACE SINK WITH OVERFLOW
- CAN BE USED AS A VESSEL SINK OR WITH 6060P PEDESTAL, SUA-CV-28 CONSOLE (SOLD SEPARATELY)
- 1-3/4" DIA DRAIN HOLE COMPATIBLE WITH MOST EUROPEAN AND AMERICAN DRAINS
- REVERSIBLE (FINISHED BACK)
- MATERIAL IS STAIN, SCRATCH, CHEMICAL, AND IMPACT RESISTANT
- PROUDLY HANDMADE IN THE USA



## CODES AND STANDARDS:

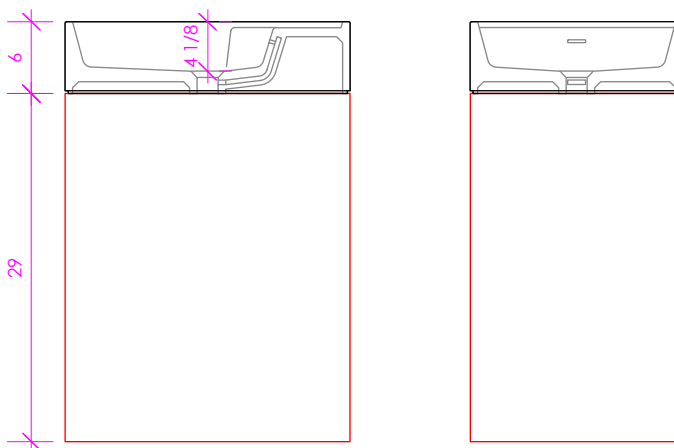
- MEETS AND EXCEEDS APPLICABLE NATIONAL CODES AND STANDARDS

## RECOMMENDED ITEMS:

- FURNITURE:  
6060P - PEDESTAL MADE OF SOLID SURFACE  
SUA-CV-28 - METAL CONSOLE
- DRAIN:  
7100-13OF - STATIONARY EUROPEAN DRAIN WITH OVERFLOW  
7100-16OF - CLICK CLACK EUROPEAN DRAIN WITH OVERFLOW

## CARE AND MAINTENANCE:

- TO PREVENT DAMAGE, DO NOT PLACE SOLID SURFACE IN DIRECT CONTACT WITH OPEN FLAME OR HOT OBJECTS
- SEE FAQ FOR MORE ON PROPER CARE AND MAINTENANCE



SHOWN WITH 6060P

LACAVA reserves the right to revise any dimension or information on this sheet without notice. Dimensions are nominal and may vary within an industry accepted tolerance of 1/4". Cabinets with 'vanity top' sinks are made to the matching sink and dimensions may vary. LACAVA is not responsible for any cutouts, countertops, or furniture made without the actual product or template. Differences in color, grain, appearance, and texture are inherent in all natural woodwork and should be expected. Variances in these qualities are not deemed manufacturing defects and will not be accepted as valid reasons for return or exchanges. Plumbing specifications are only a guideline and may need alteration based on application.

6630 WEST WRIGHTWOOD  
CHICAGO, IL 60707

PH: 773-637-9600  
FAX: 773-637-9601

LACAVA.COM  
INFO@LACAVA.COM