

## Aquasei Console Item #5234L

### Features:

- Floor-standing console stand with towel bars
- Metal construction
- Must be secured to wall
- Washbasin #5234 or #5235 sold separately
- Handmade in USA
- Freight class 4 based on the Lacava Freight Program

### Recommended Accesories:

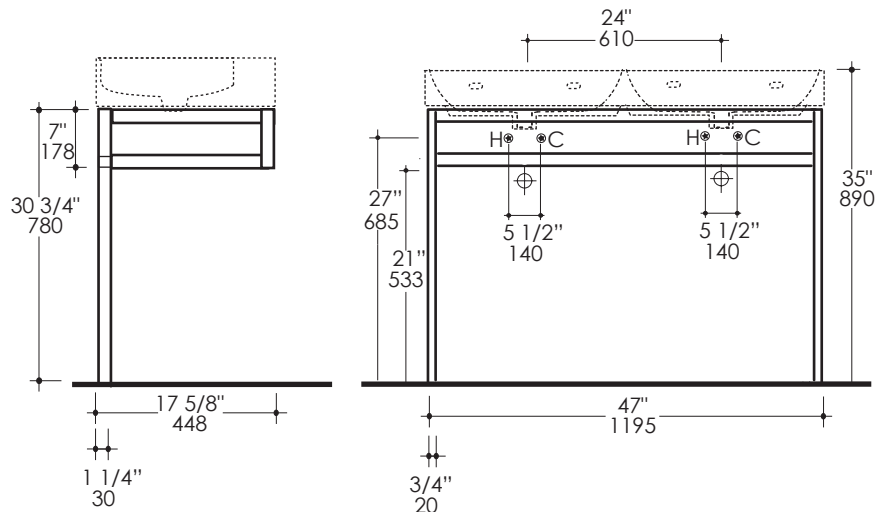
- Item #5234: Porcelain double-bowl washbasin with overflow
  - Requires oversized European drain (i.e. item #7100-16OF or 7100-12)
  - Available in White (-001) only
  - Faucet hole options available: None, One, Two, or Three in 8" spread
- Item #5235: Porcelain single bowl washbasin with overflow
  - Requires oversized European drain (i.e. item #7100-16OF or 7100-12)
  - Available in White (-001) only
  - Faucet hole options available: None, One, Two, or Three in 8" spread



### Finish Options:

- 10 - Polished Stainless Steel
- 21 - Brushed Stainless Steel
- 44 - Matte Black Stainless Steel
- 51 - Brushed Brass

### Product Specifications:



#### Notes:

Drawings provided herein are meant to give the user an idea of the product and are not made to scale. The size in inches is rounded up to the nearest 1/16". Slight variances can often occur with porcelain and woodwork. Therefore, LACAVA will not be held responsible for any cutouts, countertops, or furniture made without the actual product or template from LACAVA. Differences in color, grain, appearance and texture are inherent in all natural woodwork, and should be expected. Variances in these qualities are not deemed manufacturing defects, and will not be accepted as valid reasons to return or exchange any LACAVA woodwork. Plumbing specifications are only a guideline and may need to be altered based on the application. Product specifications are not binding to the manufacturer and can be changed without notice at any time. Please refer to your shipment for product final sizes.

LACAVA is committed to the highest level of customer service. Please feel free to contact us at 1-888-522-2823 (toll free) or by email at [info@lacava.com](mailto:info@lacava.com) for technical assistance or any general inquiries.

Rev. 07-03-2017