

Specifications:

Installation:	Wall hung
Dimensions:	13 7/8" w x 21 3/4" d x 16" h
Material:	Porcelain
Flush System:	Concealed in-wall dual flush
Waste Outlet:	Wall
Bowl Shape:	Oval
Trap Diameter:	3 1/4" ID, 4 1/8" OD
Water Use:	1.6 gpf and 0.8 gpf
Weight:	52 lbs
Finishes:	001 - White
Includes:	Support brackets for wall-hung toilets 111.847.00.1 with small contact surfaces (thin profiles); it must be installed on the carrier before wall is closed



Features:

- Porcelain toilet with composite seat cover
- Requires concealed flushing system and flush actuator (sold separately)
- Soft-closing seat cover is included
- Easy-clean porcelain finish
- Weight limit for wall hung: 602 lbs.
- Low consumption dual flush system (1.6 gpf and 0.8 gpf)

Codes + Standards:

- Meets and exceeds applicable national codes and standards
- CAL-Green compliant

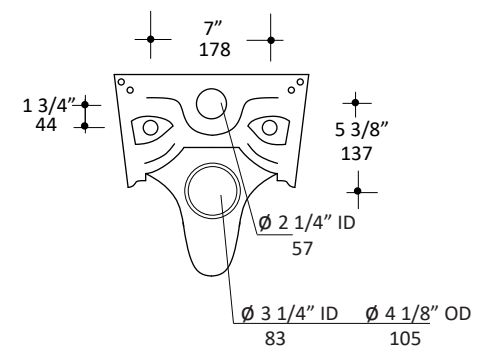
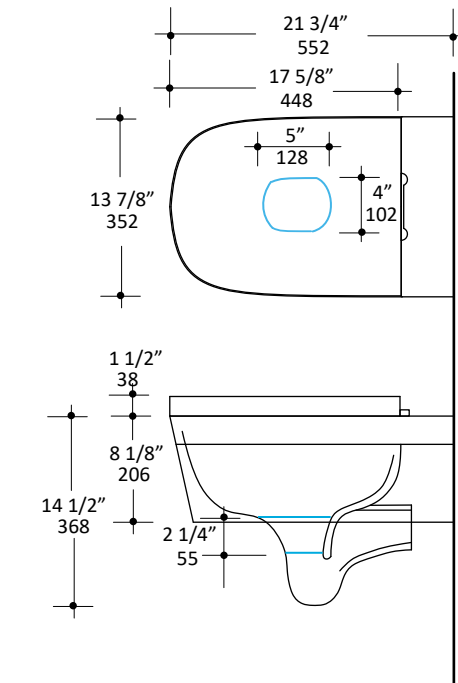
ADA compliant when installed to specific requirements of this regulation

Required Items:

- GE111335005: Geberit in-wall tank & carrier system
- GE115770: Geberit Sigma10 dual-flush actuator
- GE115778: Geberit Sigma20 dual-flush actuator
- GE115788: Geberit Sigma50 dual-flush actuator

Recommended Items:

- 5051CW: Replacement seat cover
- 2959 - Wood box for in-wall tank and carrier.
-Available in all Lacava wood finishes



LACAVA reserves the right to revise any dimension or information on this sheet without notice. Dimensions are nominal and may vary within an industry accepted tolerance of 1/4". Drawings provided herein are meant to give the user an idea of the product and are not made to scale. Location of plumbing is meant for reference, your specific application may vary.

Revised: 9/18/2019